



BRAKE DISC PAINTED

09.D423.11

The 09.D423.11 painted brake disc is synonymous with reliability

The Brembo brake disc with special UV paint treatment guarantees superior corrosion resistance for the product, thanks to the protective coating on the outer edges and on the disc hub. The UV paint not only gives the disc a clean, shiny appearance but is also beneficial for the environment as the water-based UV paint treatment does not require the use of chemical solvents and is a low energy consumption process.

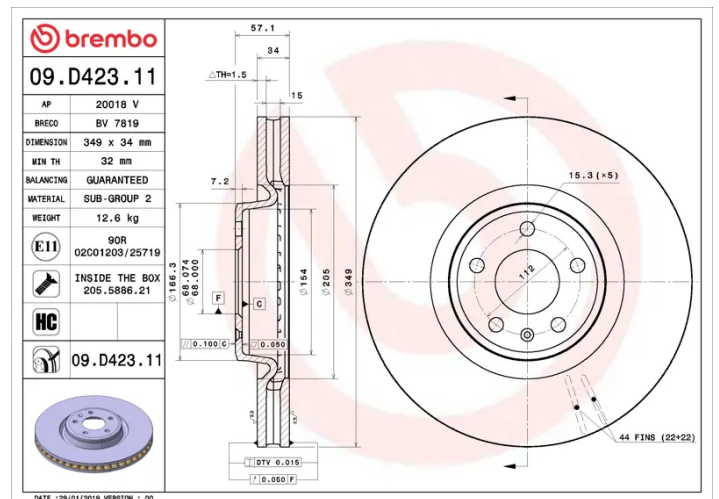
- ✓ OE-equivalent
- ✓ Brembo quality
- ✓ ECE-R90 certificate
- ✓ Safety
- ✓ High carbon
- ✓ Anti-corrosion
- ✓ Fastening screws



Technical specifications



EAN code 8020584315859	Axle Front	Diameter Ø 349 mm
Thickness (TH) 34 mm	Height (A) 57 mm	Number of holes (C) 5
Brake disc type Ventilated	Centering (B) 68 mm	Min. thickness 32 mm



COMPATIBLE VEHICLES

COMPATIBLE OE PART NUMBERS

4M0615301AB	AUDI
-------------	------

4M0615301AN	AUDI
-------------	------

4M0615301P	AUDI
------------	------

80A615301D	AUDI
------------	------

80A615301G	AUDI
------------	------

4M0615301AN	VW
-------------	----