



BRAKE DISC PAINTED

09.N236.21

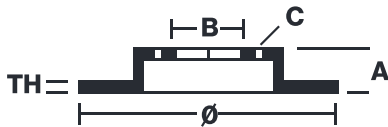
The 09.N236.21 painted brake disc is synonymous with reliability

The Brembo brake disc with special UV paint treatment guarantees superior corrosion resistance for the product, thanks to the protective coating on the outer edges and on the disc hub. The UV paint not only gives the disc a clean, shiny appearance but is also beneficial for the environment as the water-based UV paint treatment does not require the use of chemical solvents and is a low energy consumption process.

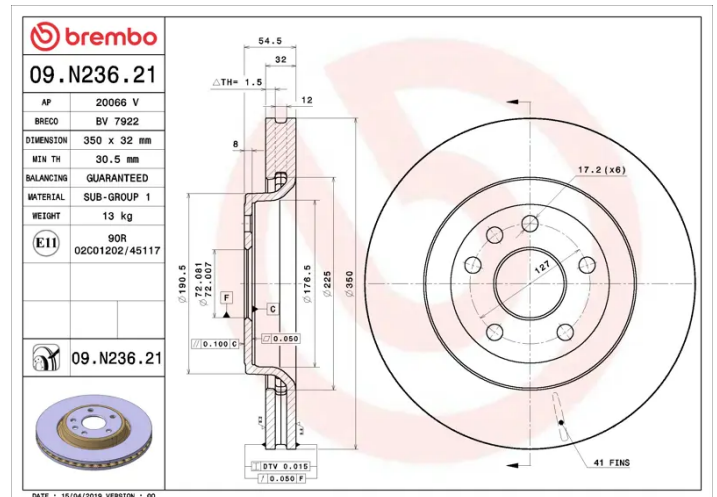
- ✓ OE-equivalent
- ✓ Brembo quality
- ✓ ECE-R90 certificate
- ✓ Safety
- ✓ Anti-corrosion



Technical specifications



EAN code	Axle	Diameter Ø
8020584238967	Front	350 mm
Thickness (TH)	Height (A)	Number of holes (C)
32 mm	55 mm	6
Brake disc type	Centering (B)	Min. thickness
Ventilated	72 mm	30,5 mm



COMPATIBLE VEHICLES

COMPATIBLE OE PART NUMBERS

00K68240048AA CHRYSLER

2AMV5012AD DODGE

68035012AB DODGE

00K04755569AA JEEP

00K68035012AE JEEP

00K68240046AA JEEP

2AMV5012AD JEEP

4755569AA JEEP

68035012AB JEEP

68035012AC JEEP

68035012AD JEEP

68035012AE JEEP

68240046AA JEEP
