



BRAKE PAD NAO P06095N

The P06095N NAO brake pad is synonymous with reliability

Brembo NAO brake pads stand out for their ultimate braking comfort, reduced friction wear and low dust mission, which makes for cleaner rims and reduced maintenance requirements. The advanced friction material in keeping with the strictest environmental standards is the main distinguishing feature of NAO compounds.

- ✓ OE-equivalent
- ✓ Brembo quality
- ✓ Safety
- ✓ Comfort
- ✓ Durability
- ✓ Dust reduction
- ✓ With accessories

Technical specifications

EAN code
8020584113455

Thickness
17 mm

Width
74 mm

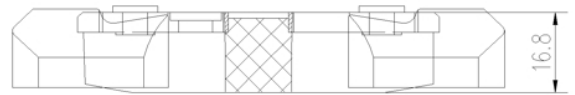
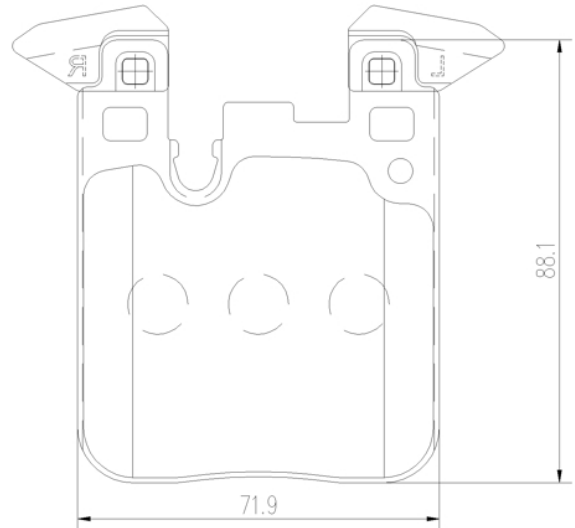
Height
88 mm

Braking system
Teves

Wear indicator
Prepared for wear indicator

WVA number
25029

Accessories
With anti-squeal shim
With counterweights



4PCS/SET