



# BRAKE PAD NAO P30065N

The P30065N NAO brake pad is synonymous with reliability

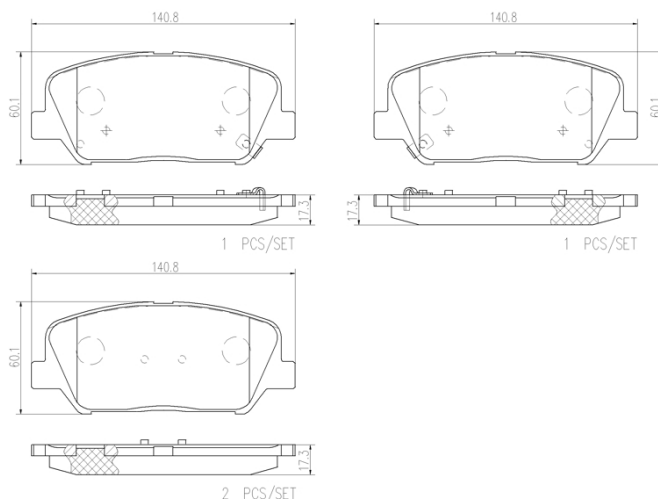
Brembo NAO brake pads stand out for their ultimate braking comfort, reduced friction wear and low dust mission, which makes for cleaner rims and reduced maintenance requirements. The advanced friction material in keeping with the strictest environmental standards is the main distinguishing feature of NAO compounds.

- ✓ OE-equivalent
- ✓ Brembo quality
- ✓ Safety
- ✓ Comfort
- ✓ Durability
- ✓ Dust reduction
- ✓ With accessories



## Technical specifications

EAN code <b>8020584082010</b>	Axle <b>Front</b>	Thickness <b>17 mm</b>
Width <b>141 mm</b>	Height <b>60 mm</b>	Braking system <b>Sumitomo</b>
Wear indicator <b>Acoustic</b>	WVA number <b>24916,24917,24915</b>	Accessories <b>With anti-squeal shim</b>



COMPATIBLE VEHICLES

## COMPATIBLE OE PART NUMBERS

581012MA00 HYUNDAI

---

581012TA20 HYUNDAI

---

581012VA20 HYUNDAI

---

581012VA25 HYUNDAI

---

581012VA70 HYUNDAI

---

58101A6A20 HYUNDAI

---

58101A6A75 HYUNDAI

---

581012TA20 KIA

---

581012TA21 KIA

---

581012TA61 KIA

---

581014CA10 KIA

---

58101A2A25 KIA

---

58101A6A20 KIA

---

58101A6A70 KIA

---

58101A7A20 KIA

---

SS8101A6A70 KIA

---