



BRAKE PAD NAO P37018N

The P37018N NAO brake pad is synonymous with reliability

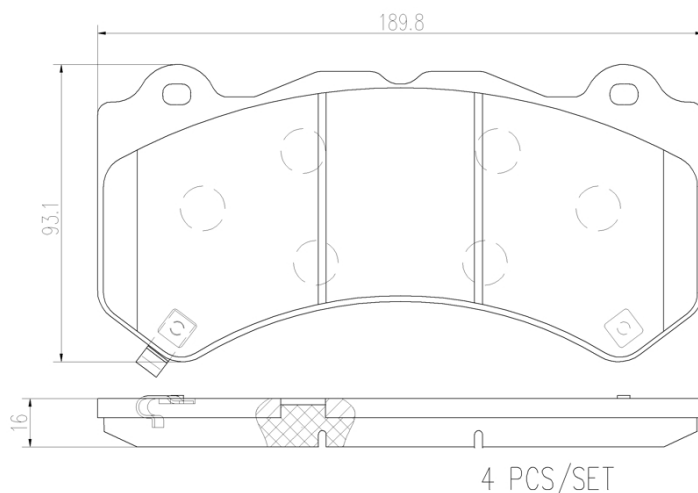
Brembo NAO brake pads stand out for their ultimate braking comfort, reduced friction wear and low dust mission, which makes for cleaner rims and reduced maintenance requirements. The advanced friction material in keeping with the strictest environmental standards is the main distinguishing feature of NAO compounds.

- ✓ OE-equivalent
- ✓ Brembo quality
- ✓ Safety
- ✓ Comfort
- ✓ Durability
- ✓ Dust reduction
- ✓ With accessories



Technical specifications

EAN code 8020584088678	Axle Front and rear	Thickness 16 mm
Width 190 mm	Height 93 mm	Braking system Brembo
Wear indicator Acoustic	WVA number 25849,25859	Accessories With anti-squeal shim



COMPATIBLE VEHICLES

COMPATIBLE OE PART NUMBERS

1225730300	BYD
------------	-----

1247707000	BYD
------------	-----

5T3501500A	BYD
------------	-----

07859031	CADILLAC
----------	----------

25940447	CADILLAC
----------	----------

25940447	CHEVROLET
----------	-----------

00K68248384AB	DODGE
---------------	-------

68248384AB	DODGE
------------	-------

68248384AC	DODGE
------------	-------

00K68144427AA	JEEP
---------------	------

00K68144427AB	JEEP
---------------	------

00K68303052AA	JEEP
---------------	------

68144427AA	JEEP
------------	------

68144427AB	JEEP
------------	------

68303052AA	JEEP
------------	------

68507583AB	JEEP
------------	------

K68144427AA	JEEP
-------------	------

K68144427AB	JEEP
-------------	------

K68303052AA	JEEP
-------------	------

044660W050	LEXUS
------------	-------

D10606HS0A	NISSAN
------------	--------

D106080B0A	NISSAN
------------	--------

D1060JF20B	NISSAN
------------	--------

D1060JF20C	NISSAN
------------	--------

D1060JF20D	NISSAN
------------	--------

D1060KB60A	NISSAN
------------	--------

D1M606HS0A	NISSAN
------------	--------

D1MFM80B0J	NISSAN
------------	--------

D400C14C10	NISSAN
------------	--------