



BRAKE PAD PRIME CERAMIC P50013N

The P50013N NAO brake pad is synonymous with reliability

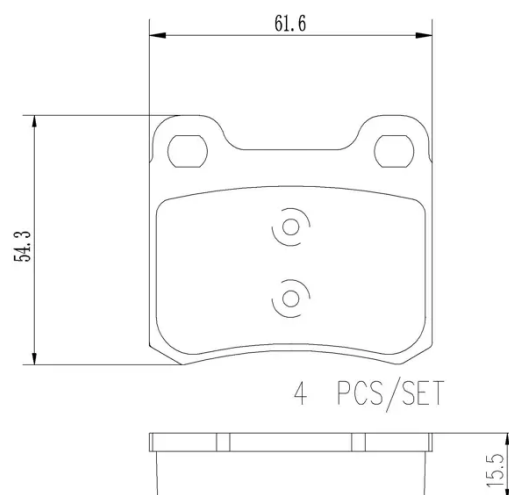
Brembo NAO brake pads stand out for their ultimate braking comfort, reduced friction wear and low dust mission, which makes for cleaner rims and reduced maintenance requirements. The advanced friction material in keeping with the strictest environmental standards is the main distinguishing feature of NAO compounds.

- ✓ OE-equivalent
- ✓ Brembo quality
- ✓ Safety
- ✓ Comfort
- ✓ Durability
- ✓ Dust reduction
- ✓ With accessories



Technical specifications

EAN code 8020584080566	Axle Rear	Thickness 16 mm
Width 62 mm	Height 54 mm	Braking system Teves
Wear indicator Without	WVA number 20687	Accessories With anti-squeal shim



COMPATIBLE VEHICLES

COMPATIBLE OE PART NUMBERS

0004209820	MERCEDES-BENZ
004209820	MERCEDES-BENZ
A0004209820	MERCEDES-BENZ