



# BRAKE PAD PRIME CERAMIC P83152N

The P83152N NAO brake pad is  
synonymous with reliability

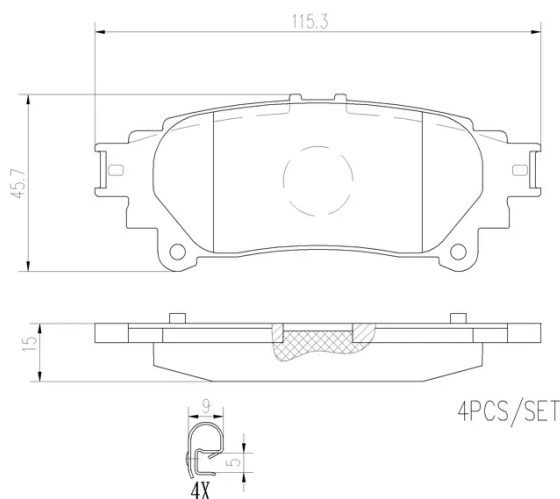
Brembo NAO brake pads stand out for their ultimate braking comfort, reduced friction wear and low dust mission, which makes for cleaner rims and reduced maintenance requirements. The advanced friction material in keeping with the strictest environmental standards is the main distinguishing feature of NAO compounds.

- ✓ OE-equivalent
- ✓ Brembo quality
- ✓ Safety
- ✓ Comfort
- ✓ Durability
- ✓ Dust reduction
- ✓ With accessories



## Technical specifications

EAN code <b>8020584081464</b>	Axle <b>Rear</b>	Thickness <b>15 mm</b>
Width <b>115 mm</b>	Height <b>46 mm</b>	Braking system <b>Akebono</b>
Wear indicator <b>Acoustic</b>	WVA number <b>24918</b>	Accessories <b>With accessories</b> <b>With anti-squeal shim</b> <b>With piston clip</b>



COMPATIBLE VEHICLES

## COMPATIBLE OE PART NUMBERS

0446647051 DAIHATSU

---

044660E010 LEXUS

---

0446648130 LEXUS

---

0446648140 LEXUS

---

044660D040 TOYOTA

---

044660K010 TOYOTA

---

0446622220 TOYOTA

---

0446647070 TOYOTA

---

0446647071 TOYOTA

---

0446647093 TOYOTA

---

0446647140 TOYOTA

---

044664813079 TOYOTA

---

0446652180 TOYOTA

---

04466WY040 TOYOTA

---

446648140 TOYOTA

---

044660E040 TOYOTA (FAW)

---

044660E040 TOYOTA (GAC)

---