



BRAKE PAD XTRA

P 23 141X

The P 23 141X Xtra brake pad is synonymous with reliability

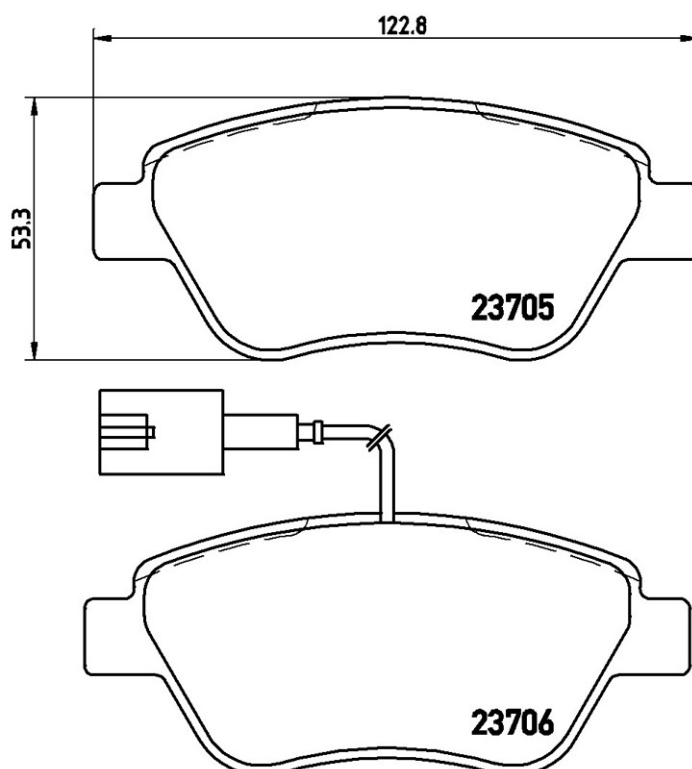
Brembo Xtra brake pads, developed to enhance the advantages of the Xtra and Max discs, are made using the special BRM X L01 compound which consists of more than 30 different components. Compared with the compound used for original-equivalent pads, the new solution assures a higher friction coefficient, which translates to more precise and stable braking, at both high and low temperatures. All this makes for greater driving comfort and improved pedal modularity, without compromising the product's mileage output.



- ✓ OE-equivalent
- ✓ Brembo quality
- ✓ ECE-R90 certificate
- ✓ Safety
- ✓ Performance
- ✓ Sports driving
- ✓ With accessories

Technical specifications

EAN code 8020584121481	Axle Front	Thickness 18 mm
Width 123 mm	Height 53 mm	Braking system Bosch
Wear indicator Electric	WVA number 23705,23706	Accessories With accessories With brake caliper bolts



COMPATIBLE OE PART NUMBERS

1609253280	CITROËN
1618111580	CITROËN
1636412780	CITROËN
4254C8	CITROËN
71770098	FIAT
71770118	FIAT
77364874	FIAT
77365465	FIAT
77365543	FIAT
77365857	FIAT
77366134	FIAT
77367327	FIAT
1617283380	PEUGEOT
4254C8	PEUGEOT