



BRAKE PAD XTRA

P 50 073X

The P 50 073X Xtra brake pad is synonymous with reliability

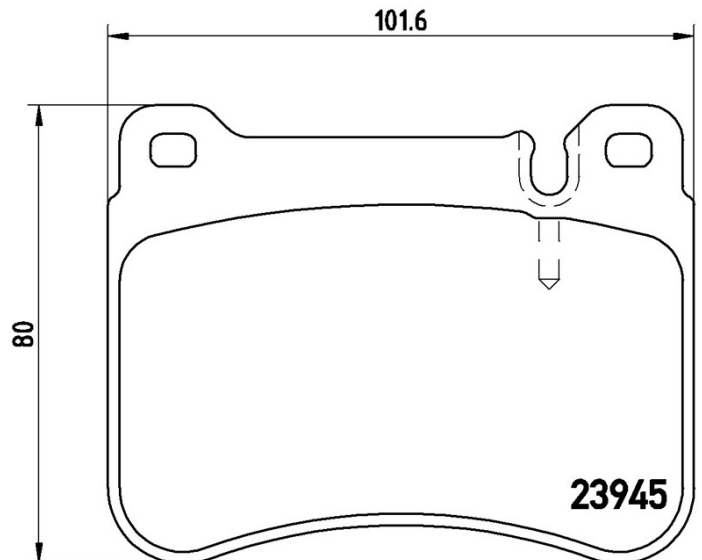
Brembo Xtra brake pads, developed to enhance the advantages of the Xtra and Max discs, are made using the special BRM X L01 compound which consists of more than 30 different components. Compared with the compound used for original-equivalent pads, the new solution assures a higher friction coefficient, which translates to more precise and stable braking, at both high and low temperatures. All this makes for greater driving comfort and improved pedal modularity, without compromising the product's mileage output.

- ✓ OE-equivalent
- ✓ Brembo quality
- ✓ ECE-R90 certificate
- ✓ Safety
- ✓ Performance
- ✓ Sports driving



Technical specifications

EAN code	Axle	Thickness
8020584068960	Front	17 mm
Width	Height	Braking system
102 mm	80 mm	Brembo
Wear indicator	WVA number	
Prepared for wear indicator	23945	



COMPATIBLE VEHICLES

COMPATIBLE OE PART NUMBERS

0044205120	MERCEDES-BENZ
------------	---------------

004420512041	MERCEDES-BENZ
--------------	---------------

A0044205120	MERCEDES-BENZ
-------------	---------------
