



BRAKE PAD

P 50 087

The P 50 087 brake pad is synonymous with reliability

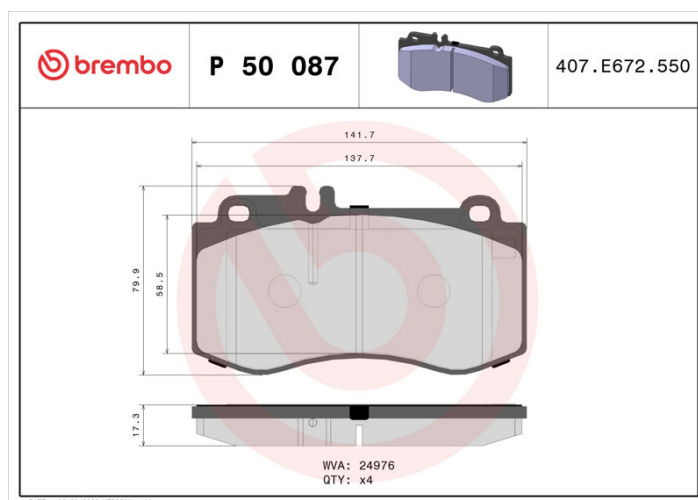
The Brembo brake pad guarantees ultimate safety when braking thanks to the use of more than 100 different compounds, designed according to the type of vehicle and use. Stopping distances reduced to a minimum, maximum driving comfort and silent operation are the most important features of Brembo materials. Brembo brake pads are supplied together with an extensive range of accessories and assembly kits for professional-standard installation.

- ✓ OE-equivalent
- ✓ Brembo quality
- ✓ ECE-R90 certificate
- ✓ Safety
- ✓ Performance
- ✓ Comfort



Technical specifications

EAN code	Axle	Thickness
8020584090657	Front	18 mm
Width	Height	Braking system
141 mm	80 mm	Brembo
Wear indicator	WVA number	
Prepared for wear indicator	24976	



COMPATIBLE VEHICLES

COMPATIBLE OE PART NUMBERS

0004201805	MERCEDES-BENZ
------------	---------------

0054207720	MERCEDES-BENZ
------------	---------------

0054208520	MERCEDES-BENZ
------------	---------------

0074204920	MERCEDES-BENZ
------------	---------------

0074206320	MERCEDES-BENZ
------------	---------------

0074206420	MERCEDES-BENZ
------------	---------------

A0054207720	MERCEDES-BENZ
-------------	---------------

A0054208520	MERCEDES-BENZ
-------------	---------------

A0074204920	MERCEDES-BENZ
-------------	---------------

A0074206320	MERCEDES-BENZ
-------------	---------------

A0074206420	MERCEDES-BENZ
-------------	---------------