



BRAKE PAD

P 50 109

The P 50 109 brake pad is synonymous with reliability

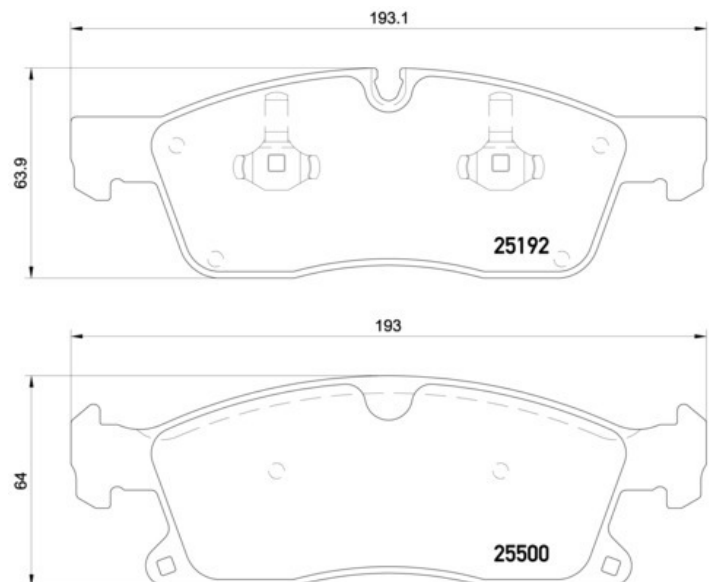
The Brembo brake pad guarantees ultimate safety when braking thanks to the use of more than 100 different compounds, designed according to the type of vehicle and use. Stopping distances reduced to a minimum, maximum driving comfort and silent operation are the most important features of Brembo materials. Brembo brake pads are supplied together with an extensive range of accessories and assembly kits for professional-standard installation.

- ✓ OE-equivalent
- ✓ Brembo quality
- ✓ ECE-R90 certificate
- ✓ Safety
- ✓ Performance
- ✓ Comfort



Technical specifications

EAN code	Axle	Thickness
8020584109519	Front	21 mm
Width	Height	Braking system
193 mm	64 mm	Teves
Wear indicator	WVA number	Accessories
Prepared for wear indicator	25192,25500	With piston clip



COMPATIBLE VEHICLES

COMPATIBLE OE PART NUMBERS

0004208804 MERCEDES-BENZ

0004209600 MERCEDES-BENZ

0064203820 MERCEDES-BENZ

0074208020 MERCEDES-BENZ

A0004208804 MERCEDES-BENZ

A0004209600 MERCEDES-BENZ

A0064203820 MERCEDES-BENZ

A0074208020 MERCEDES-BENZ
