



BRAKE PAD

P 50 139

The P 50 139 brake pad is synonymous with reliability



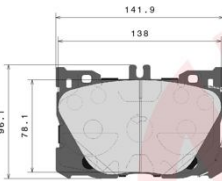
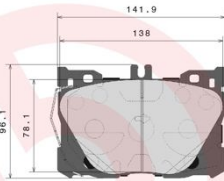


The Brembo brake pad guarantees ultimate safety when braking thanks to the use of more than 100 different compounds, designed according to the type of vehicle and use. Stopping distances reduced to a minimum, maximum driving comfort and silent operation are the most important features of Brembo materials. Brembo brake pads are supplied together with an extensive range of accessories and assembly kits for professional-standard installation.

- ✓ OE-equivalent
- ✓ Brembo quality
- ✓ ECE-R90 certificate
- ✓ Safety
- ✓ Performance
- ✓ Comfort



Technical specifications

EAN code	Axle	Thickness
8020584087213	Front	18 mm
Width	Height	Braking system
142 mm	96 mm	Brembo
Wear indicator	WVA number	
Prepared for wear indicator	22587,22586	

	P 50 139		407.E672.718
			SHIM 07.E655.794 - x4 
WVA: 22586 QTY: x2	WVA: 22587 QTY: x2		
DATE : 25/07/2023 VERSION : 00			

COMPATIBLE VEHICLES

COMPATIBLE OE PART NUMBERS

0004204900	MERCEDES-BENZ
0004204904	MERCEDES-BENZ
0004205000	MERCEDES-BENZ
0004207900	MERCEDES-BENZ
0004208403	MERCEDES-BENZ
0004209000	MERCEDES-BENZ
0004209003	MERCEDES-BENZ
A0004204900	MERCEDES-BENZ
A0004204904	MERCEDES-BENZ
A0004205000	MERCEDES-BENZ
A0004207900	MERCEDES-BENZ
A0004208403	MERCEDES-BENZ
A0004209000	MERCEDES-BENZ
A0004209003	MERCEDES-BENZ (BBDC)