



# BRAKE PAD

## P 65 025

The P 65 025 brake pad is synonymous with reliability

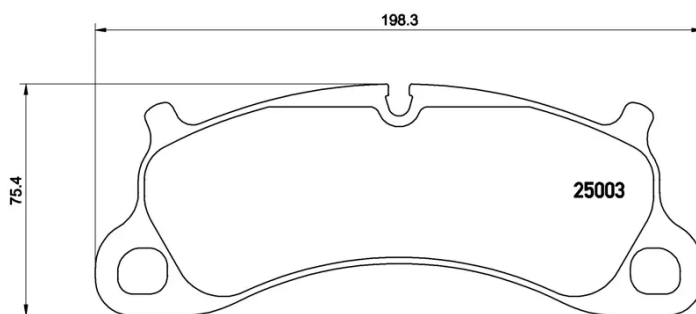
The Brembo brake pad guarantees ultimate safety when braking thanks to the use of more than 100 different compounds, designed according to the type of vehicle and use. Stopping distances reduced to a minimum, maximum driving comfort and silent operation are the most important features of Brembo materials. Brembo brake pads are supplied together with an extensive range of accessories and assembly kits for professional-standard installation.

- ✓ OE-equivalent
- ✓ Brembo quality
- ✓ ECE-R90 certificate
- ✓ Safety
- ✓ Performance
- ✓ Comfort



### Technical specifications

EAN code	Axle	Thickness
8020584103630	Front	17 mm
Width	Height	Braking system
198 mm	75 mm	Brembo
Wear indicator	WVA number	Accessories
Prepared for wear indicator	25003	With anti-squeal shim



COMPATIBLE VEHICLES

### COMPATIBLE OE PART NUMBERS

99135194902	PORSCHE
99135194903	PORSCHE
99135194904	PORSCHE