



BRAKE DISC PAINTED

08.8316.11

The 08.8316.11 painted brake disc is synonymous with reliability

The Brembo brake disc with special UV paint treatment guarantees superior corrosion resistance for the product, thanks to the protective coating on the outer edges and on the disc hub. The UV paint not only gives the disc a clean, shiny appearance but is also beneficial for the environment as the water-based UV paint treatment does not require the use of chemical solvents and is a low energy consumption process.

- ✓ OE-equivalent
- ✓ Brembo quality
- ✓ ECE-R90 certificate
- ✓ Safety
- ✓ Anti-corrosion

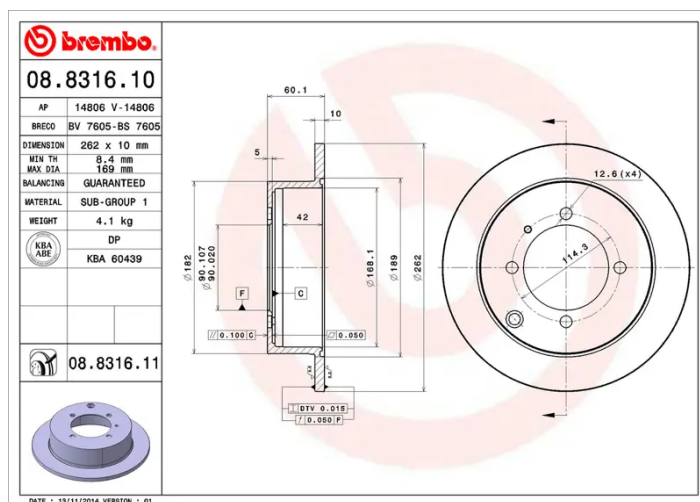


Technical specifications



EAN code	Axle	Diameter Ø
8020584214107	Rear	262 mm
Thickness (TH)	Height (A)	Number of holes (C)
10 mm	60 mm	4
Brake disc type	Centering (B)	Min. thickness
Solid	90 mm	8,4 mm

Tightening torque
100 Nm



COMPATIBLE OE PART NUMBERS

58411M2050	HYUNDAI
------------	---------

58411M2050DS	HYUNDAI
--------------	---------

58411M2050	KIA
------------	-----

MB668083	MITSUBISHI
----------	------------

MB699964	MITSUBISHI
----------	------------

MB857915	MITSUBISHI
----------	------------

MB857978	MITSUBISHI
----------	------------

MB668083	PROTON
----------	--------

MB699964	PROTON
----------	--------