



# BRAKE DISC

## 08.B413.10

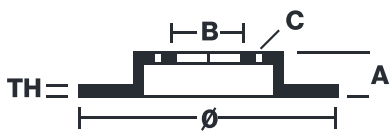
The **08.B413.10** brake disc is synonymous with reliability

The Brembo brake disc is fully interchangeable with an Original Equipment brake disc. The control of the entire production cycle allows Brembo to offer brake discs with outstanding performance levels, reliability, durability and comfort in all conditions of use. All Brembo brake discs are accompanied by the ECE-R90 homologation.

- ✓ OE-equivalent
- ✓ Brembo quality
- ✓ ECE-R90 certificate
- ✓ Safety
- ✓ Fastening screws

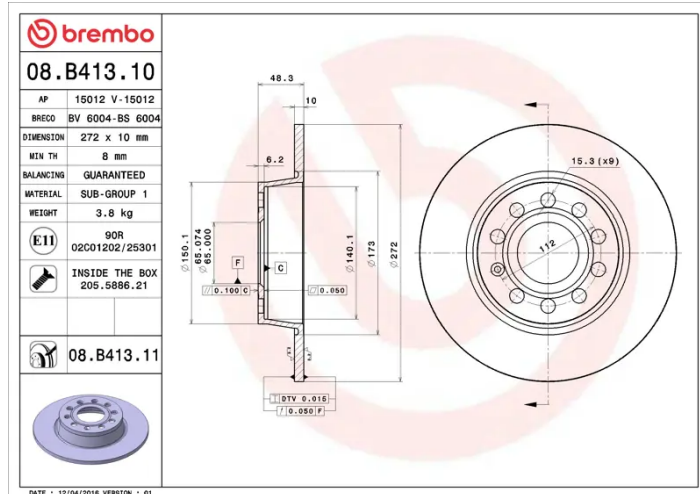


### Technical specifications



EAN code <b>8020584030417</b>	Axle <b>Rear</b>	Diameter Ø <b>272 mm</b>
Thickness (TH) <b>10 mm</b>	Height (A) <b>48 mm</b>	Number of holes (C) <b>5</b>
Brake disc type <b>Solid</b>	Centering (B) <b>65 mm</b>	Min. thickness <b>8 mm</b>

Tightening torque  
**120 Nm**



**COMPATIBLE VEHICLES**

## COMPATIBLE OE PART NUMBERS

1K0615601AA AUDI

---

5Q0615601D AUDI

---

5Q0615601D AUDI (FAW)

---

L5QD615601A AUDI (FAW)

---

5Q0615601D CUPRA

---

L5QD615601A JETTA

---

1K0615601AA SEAT

---

5Q0615601D SEAT

---

1K0615601AA SKODA

---

5Q0615601D SKODA

---

1K0615601AA VW

---

561615601 VW

---

561615601A VW

---

5Q0615601D VW

---

5QM615601C VW

---

1K0615601AA VW (FAW)

---

5Q0615601D VW (FAW)

---

L5QD615601A VW (FAW)

---