



BRAKE DISC

08.N123.10

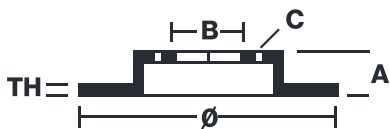
The **08.N123.10** brake disc is synonymous with reliability

The Brembo brake disc is fully interchangeable with an Original Equipment brake disc. The control of the entire production cycle allows Brembo to offer brake discs with outstanding performance levels, reliability, durability and comfort in all conditions of use. All Brembo brake discs are accompanied by the ECE-R90 homologation.

- ✓ OE-equivalent
- ✓ Brembo quality
- ✓ ECE-R90 certificate
- ✓ Safety



Technical specifications



EAN code
8020584029329

Axle
Rear

Diameter \emptyset
305 mm

Thickness (TH)
12 mm

Height (A)
33 mm

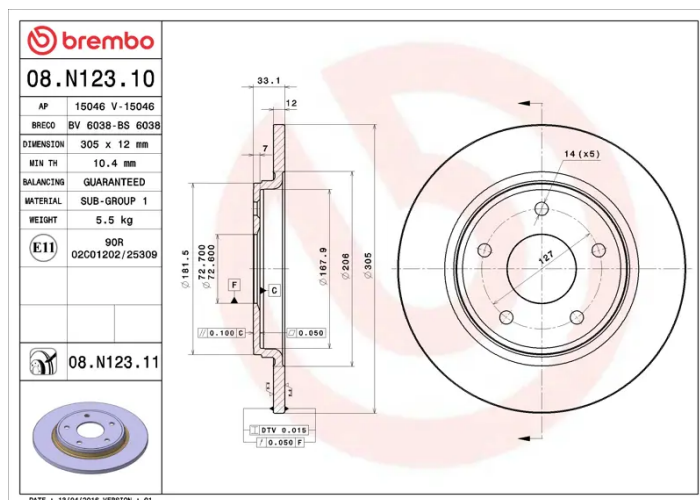
Number of holes (C)
5

Brake disc type
Solid

Centering (B)
73 mm

Min. thickness
10,4 mm

Tightening torque
129 Nm



COMPATIBLE VEHICLES

COMPATIBLE OE PART NUMBERS

04721996AB	CHRYSLER
------------	----------

4721677AA	CHRYSLER
-----------	----------

4721996AA	CHRYSLER
-----------	----------

4721996AB	CHRYSLER
-----------	----------

04721996AA	DODGE
------------	-------

4721996AA	DODGE
-----------	-------

4721996AB	DODGE
-----------	-------

K04721677AA	FIAT
-------------	------

K04721996AA	FIAT
-------------	------

K04721996AB	FIAT
-------------	------

7B0615601A	VW
------------	----

7B0615601B	VW
------------	----