



BRAKE DISC PAINTED

09.7701.11

The 09.7701.11 painted brake disc is synonymous with reliability

The Brembo brake disc with special UV paint treatment guarantees superior corrosion resistance for the product, thanks to the protective coating on the outer edges and on the disc hub. The UV paint not only gives the disc a clean, shiny appearance but is also beneficial for the environment as the water-based UV paint treatment does not require the use of chemical solvents and is a low energy consumption process.

- ✓ OE-equivalent
- ✓ Brembo quality
- ✓ ECE-R90 certificate
- ✓ Safety
- ✓ High carbon
- ✓ Anti-corrosion
- ✓ Fastening screws



Technical specifications



EAN code
8020584013045

Axle
Front

Diameter Ø
300 mm

Thickness (TH)
22 mm

Height (A)
52 mm

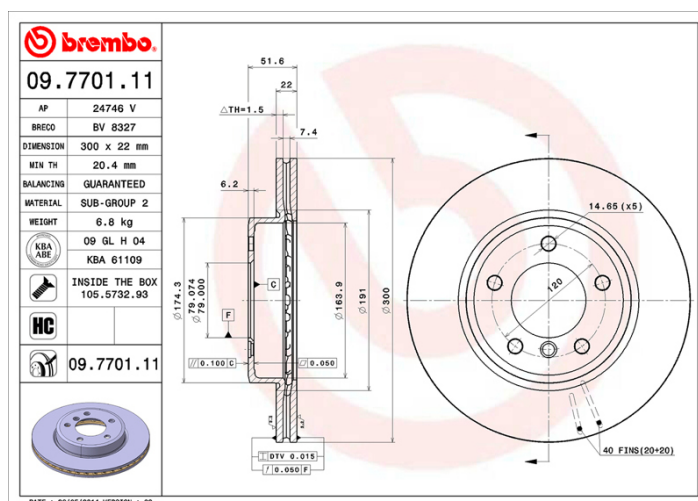
Number of holes (C)
5

Brake disc type
Ventilated

Centering (B)
79 mm

Min. thickness
20,4 mm

Tightening torque
120 Nm



COMPATIBLE OE PART NUMBERS

34111164539	BMW
34116757526	BMW
34116766224	BMW
34116794302	BMW
34116855152	BMW
34116864058	BMW
34111164539	BMW (BRILLIANCE)
34116757526	BMW (BRILLIANCE)
34116766224	BMW (BRILLIANCE)
34116855152	BMW (BRILLIANCE)
34116864058	BMW (BRILLIANCE)