



BRAKE DISC PAINTED

09.9167.11

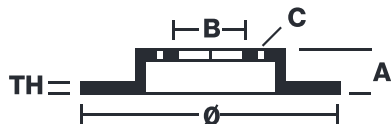
The 09.9167.11 painted brake disc is synonymous with reliability

The Brembo brake disc with special UV paint treatment guarantees superior corrosion resistance for the product, thanks to the protective coating on the outer edges and on the disc hub. The UV paint not only gives the disc a clean, shiny appearance but is also beneficial for the environment as the water-based UV paint treatment does not require the use of chemical solvents and is a low energy consumption process.

- ✓ OE-equivalent
- ✓ Brembo quality
- ✓ ECE-R90 certificate
- ✓ Safety
- ✓ High carbon
- ✓ Anti-corrosion
- ✓ Fastening screws



Technical specifications



EAN code
8020584022849

Axle
Front

Diameter Ø
280 mm

Thickness (TH)
22 mm

Height (A)
50 mm

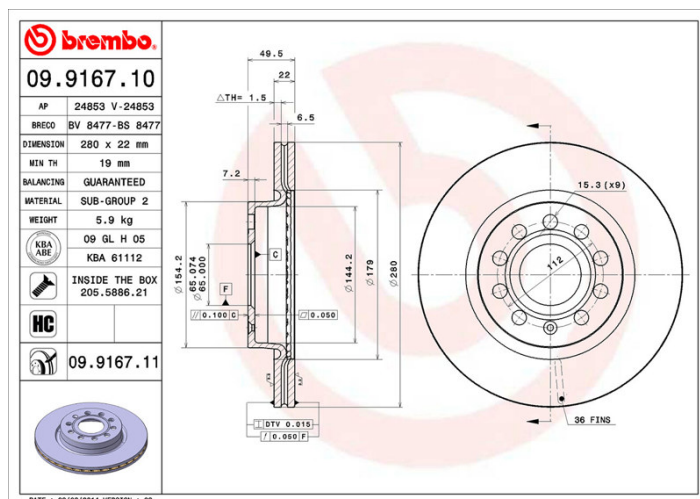
Number of holes (C)
5

Brake disc type
Ventilated

Centering (B)
65 mm

Min. thickness
19 mm

Tightening torque
120 Nm



COMPATIBLE OE PART NUMBERS

1K0615301AC	AUDI
-------------	------

1K0615301AK	AUDI
-------------	------

1K0615301AS	AUDI
-------------	------

1K0615301S	AUDI
------------	------

5C0615301	AUDI
-----------	------

1K0615301S	SEAT
------------	------

JZW615301A	SEAT
------------	------

1K0615301AK	SKODA
-------------	-------

1K0615301S	SKODA
------------	-------

JZW615301A	SKODA
------------	-------

1KD615301F	SKODA (SVW)
------------	-------------

1K0615301AC	VW
-------------	----

1K0615301AK	VW
-------------	----

1K0615301AQ	VW
-------------	----

1K0615301AS	VW
-------------	----

1K0615301S	VW
------------	----

5C0615301	VW
-----------	----

5C0615301C	VW
------------	----

JZW615301A	VW
------------	----

L1KD615301C	VW (FAW)
-------------	----------