



BRAKE DISC PAINTED

09.9923.11

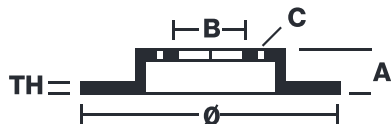
The 09.9923.11 painted brake disc is synonymous with reliability

The Brembo brake disc with special UV paint treatment guarantees superior corrosion resistance for the product, thanks to the protective coating on the outer edges and on the disc hub. The UV paint not only gives the disc a clean, shiny appearance but is also beneficial for the environment as the water-based UV paint treatment does not require the use of chemical solvents and is a low energy consumption process.

- ✓ OE-equivalent
- ✓ Brembo quality
- ✓ ECE-R90 certificate
- ✓ Safety
- ✓ High carbon
- ✓ Anti-corrosion
- ✓ Fastening screws

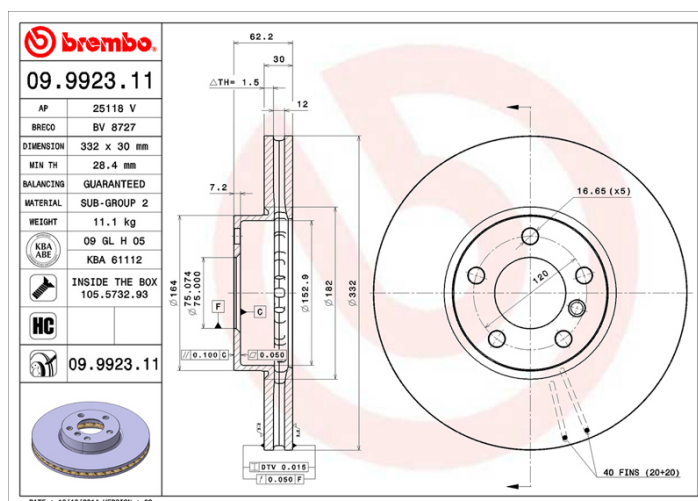


Technical specifications



EAN code	Axle	Diameter \emptyset
8020584992319	Front	332 mm
Thickness (TH)	Height (A)	Number of holes (C)
30 mm	62 mm	5
Brake disc type	Centering (B)	Min. thickness
Ventilated	75 mm	28,4 mm

Tightening torque
140 Nm



COMPATIBLE OE PART NUMBERS

34116771985 BMW

34116793245 BMW

34116868939 BMW

34116886478 BMW
