



BRAKE DISC PAINTED

09.A408.11

The 09.A408.11 painted brake disc is synonymous with reliability

The Brembo brake disc with special UV paint treatment guarantees superior corrosion resistance for the product, thanks to the protective coating on the outer edges and on the disc hub. The UV paint not only gives the disc a clean, shiny appearance but is also beneficial for the environment as the water-based UV paint treatment does not require the use of chemical solvents and is a low energy consumption process.

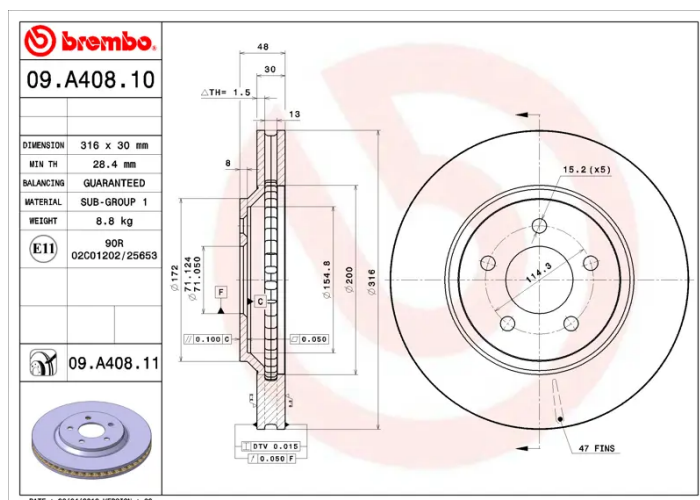
- ✓ OE-equivalent
- ✓ Brembo quality
- ✓ ECE-R90 certificate
- ✓ Safety
- ✓ Anti-corrosion



Technical specifications



EAN code	Axle	Diameter \emptyset
8020584215111	Front	316 mm
Thickness (TH)	Height (A)	Number of holes (C)
30 mm	48 mm	5
Brake disc type	Centering (B)	Min. thickness
Ventilated	71 mm	28,4 mm



COMPATIBLE VEHICLES

COMPATIBLE OE PART NUMBERS

4R3Z1125BA	FORD
------------	------

DR3Z1125C	FORD
-----------	------

DR3Z112C	FORD
----------	------

4R3Z1125BA	FORD ASIA & OCEANIA
------------	---------------------

SU2Z1V125U	FORD ASIA & OCEANIA
------------	---------------------

DR3Z1125C	FORD ASIA & OCEANIA
-----------	---------------------

4R3Z1125BA	FORD USA
------------	----------

SU2Z1V125U	FORD USA
------------	----------

DR3Z1125C	FORD USA
-----------	----------