



BRAKE DISC

09.A598.10

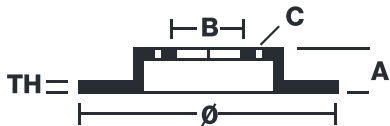
The **09.A598.10** brake disc is synonymous with reliability

The Brembo brake disc is fully interchangeable with an Original Equipment brake disc. The control of the entire production cycle allows Brembo to offer brake discs with outstanding performance levels, reliability, durability and comfort in all conditions of use. All Brembo brake discs are accompanied by the ECE-R90 homologation.

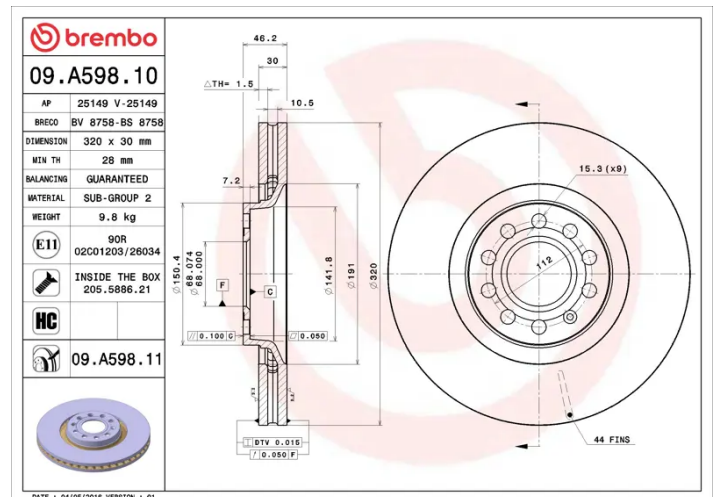
- ✓ OE-equivalent
- ✓ Brembo quality
- ✓ ECE-R90 certificate
- ✓ Safety
- ✓ High carbon
- ✓ Fastening screws



Technical specifications



EAN code 8020584018927	Axle Front	Diameter Ø 320 mm
Thickness (TH) 30 mm	Height (A) 46 mm	Number of holes (C) 5
Brake disc type Ventilated	Centering (B) 68 mm	Min. thickness 28 mm
Tightening torque 120 Nm		



COMPATIBLE VEHICLES

COMPATIBLE OE PART NUMBERS

8D0615301M	AUDI
------------	------

8E0615301AD	AUDI
-------------	------

8E0615301AD	AUDI (FAW)
-------------	------------

8D0615301M	SEAT
------------	------

8E0615301AD	SEAT
-------------	------
