



BRAKE DISC DUAL CAST

09.A945.33

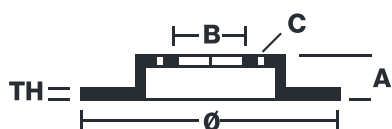
Dual Cast brake disc 09.A945.33 belongs to Brembo Premium Line

The Dual Cast brake disc is an exclusive Brembo solution characterised by a cast iron braking surface and the aluminium hat, which combine the advantages of cast iron behaviour at high temperatures with the light weight of aluminium. This results in a lighter weight and less thermal deformation for improved braking system performance.



- ✓ OE-equivalent
- ✓ Brembo quality
- ✓ ECE-R90 certificate
- ✓ Weight reduction
- ✓ High carbon
- ✓ Bi-Material Brake Disc
- ✓ Anti-corrosion
- ✓ Fading resistance

Technical specifications



EAN code
8020584316078

Axle
Front

Diameter Ø
360 mm

Thickness (TH)
36 mm

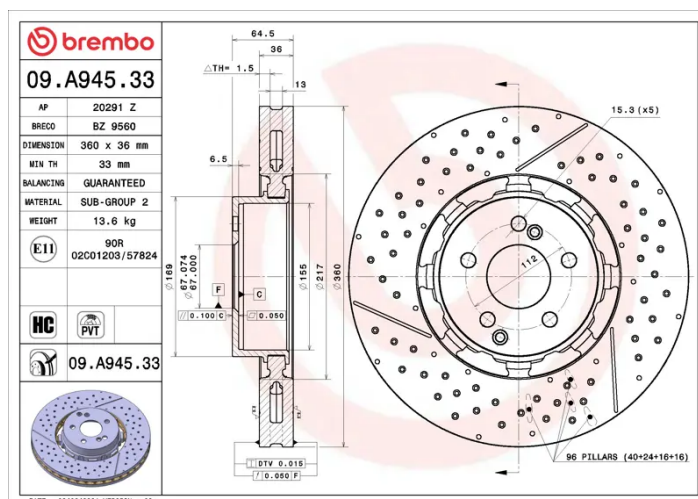
Height (A)
64,5 mm

Number of holes (C)
5

Brake disc type
Ventilated

Centering (B)
67 mm

Min. thickness
33 mm



COMPATIBLE VEHICLES

COMPATIBLE OE PART NUMBERS

2124210512

MERCEDES-BENZ

A2124210512

MERCEDES-BENZ
