



BRAKE DISC XTRA

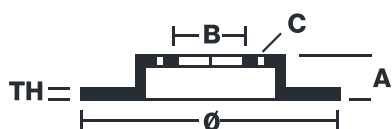
09.D428.1X

The 09.D428.1X Xtra brake disc is synonymous with reliability

The Brembo Xtra brake disc features holes on the braking surface. The holes are designed to improve the cooling of the braking system, to generate greater fading resistance and grip in the initial stages of braking. The sports look is also enhanced by the presence of the UV paint.

- ✓ Brembo quality
- ✓ ECE-R90 certificate
- ✓ Performance
- ✓ Sports driving
- ✓ Sporty look
- ✓ High carbon
- ✓ Anti-corrosion
- ✓ Fastening screws

Technical specifications



EAN code
8020584340967

Axle
Front

Diameter Ø
305 mm

Thickness (TH)
25 mm

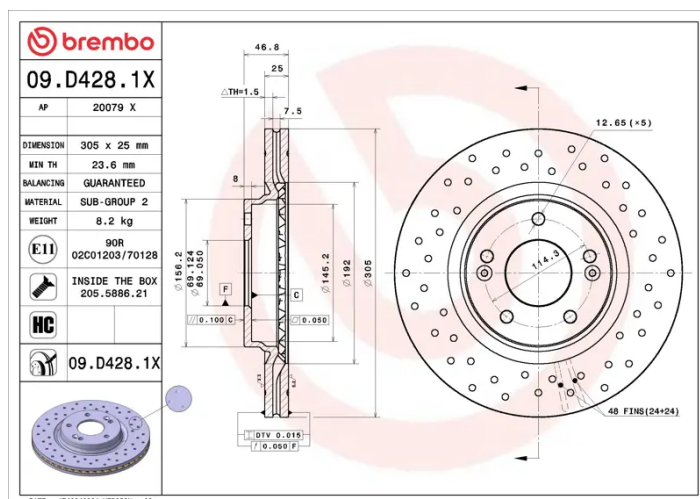
Height (A)
46,8 mm

Number of holes (C)
5

Brake disc type
Ventilated

Centering (B)
69 mm

Min. thickness
23,6 mm



COMPATIBLE VEHICLES

COMPATIBLE OE PART NUMBERS

51712C1000	HYUNDAI
51712D7000	HYUNDAI
51712J9100	HYUNDAI
51712C1000	HYUNDAI (BEIJING)
51712C1000	KIA
51712C2000	KIA
51712D7000	KIA
51712J9100	KIA
551712D7000E	KIA
51712C1000	KIA (DYK)