



BRAKE PAD NAO P30036N

The P30036N NAO brake pad is synonymous with reliability

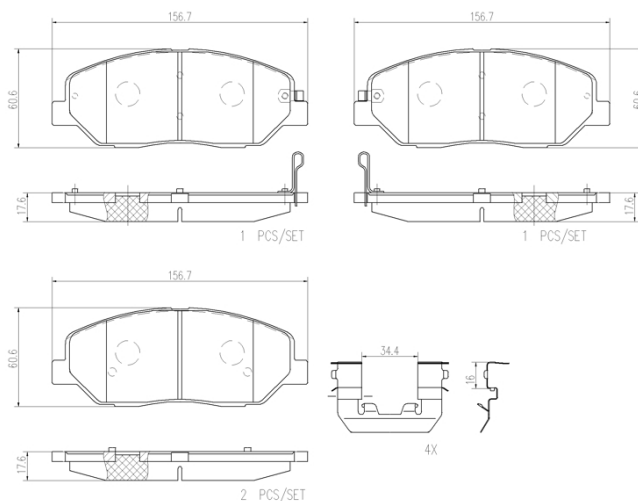
Brembo NAO brake pads stand out for their ultimate braking comfort, reduced friction wear and low dust mission, which makes for cleaner rims and reduced maintenance requirements. The advanced friction material in keeping with the strictest environmental standards is the main distinguishing feature of NAO compounds.

- ✓ OE-equivalent
- ✓ Brembo quality
- ✓ Safety
- ✓ Comfort
- ✓ Durability
- ✓ Dust reduction
- ✓ With accessories



Technical specifications

EAN code 8020584098042	Axle Front	Thickness 18 mm
Width 157 mm	Height 61 mm	Braking system Mando
Wear indicator Acoustic	WVA number 24569,24351,24568	Accessories With accessories With anti-squeal shim



COMPATIBLE VEHICLES

COMPATIBLE OE PART NUMBERS

581010WA00 HYUNDAI

581012BA00 HYUNDAI

581012BA10 HYUNDAI

581012PA00 HYUNDAI

581012WA00 HYUNDAI

581012WA01 HYUNDAI

581012WA40 HYUNDAI

581012WA70 HYUNDAI

581012WA90 HYUNDAI

581013MA20 HYUNDAI

581014DU00 HYUNDAI

581012BA10 HYUNDAI

581012PA70 HYUNDAI

581012BA10 KIA

581012JA10 KIA

581012JA11 KIA

581012JA50 KIA

581012PA70 KIA

581014DA60 KIA

58101C0A00 KIA (DYK)

48130341A0 SSANGYONG

4813036B00 SSANGYONG

4813036B10 SSANGYONG

48130370B0 SSANGYONG

48130371B0 SSANGYONG
