



BRAKE PAD PRIME CERAMIC P30039N

The P30039N NAO brake pad is synonymous with reliability

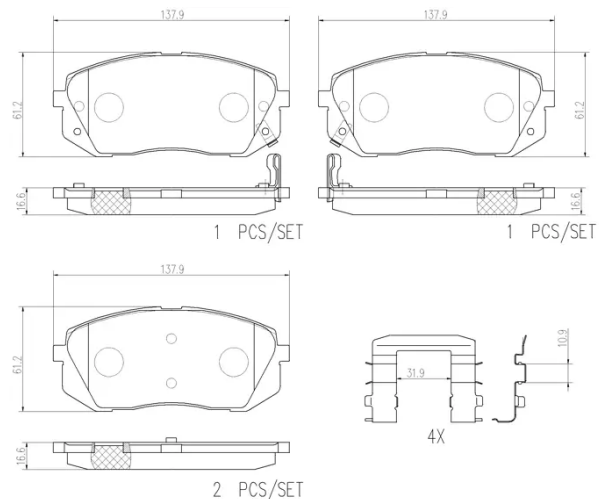
Brembo NAO brake pads stand out for their ultimate braking comfort, reduced friction wear and low dust mission, which makes for cleaner rims and reduced maintenance requirements. The advanced friction material in keeping with the strictest environmental standards is the main distinguishing feature of NAO compounds.

- ✓ OE-equivalent
- ✓ Brembo quality
- ✓ Safety
- ✓ Comfort
- ✓ Durability
- ✓ Dust reduction
- ✓ With accessories



Technical specifications

EAN code 8020584098066	Axle Front	Thickness 17 mm
Width 138 mm	Height 61 mm	Braking system Sumitomo
Wear indicator Acoustic	WVA number 24501,24502,24503	Accessories With anti-squeal shim



COMPATIBLE VEHICLES

COMPATIBLE OE PART NUMBERS

581013ZA00	HYUNDAI
58101J9A70	HYUNDAI
58101J9A75	HYUNDAI
58101J9A78	HYUNDAI
581012ZA00	HYUNDAI (BEIJING)
3503100U152001	JAC
581010ZA00	KIA
581011DA00	KIA
581011DA50	KIA
581011DE00	KIA
5581010ZA00	KIA
58101Q2A00	KIA (DYK)