



BRAKE PAD NAO P50104N

The P50104N NAO brake pad is synonymous with reliability

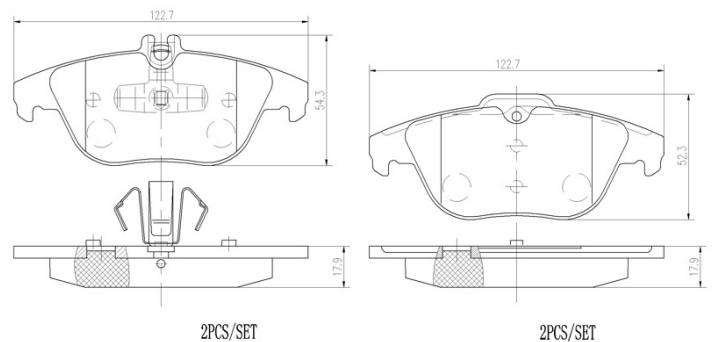
Brembo NAO brake pads stand out for their ultimate braking comfort, reduced friction wear and low dust mission, which makes for cleaner rims and reduced maintenance requirements. The advanced friction material in keeping with the strictest environmental standards is the main distinguishing feature of NAO compounds.

- ✓ OE-equivalent
- ✓ Brembo quality
- ✓ Safety
- ✓ Comfort
- ✓ Durability
- ✓ Dust reduction
- ✓ With accessories



Technical specifications

EAN code 8020584113868	Axle Rear	Thickness 18 mm
Width 123 mm	Height 52 mm	Braking system Teves
Wear indicator Prepared for wear indicator	WVA number 25282,24254	Accessories With anti-squeal shim With piston clip



COMPATIBLE VEHICLES

COMPATIBLE OE PART NUMBERS

0054204920	MERCEDES-BENZ
------------	---------------

0054205120	MERCEDES-BENZ
------------	---------------

0074206120	MERCEDES-BENZ
------------	---------------

0074206220	MERCEDES-BENZ
------------	---------------

A0054204920	MERCEDES-BENZ
-------------	---------------

A0054205120	MERCEDES-BENZ
-------------	---------------

A0074206120	MERCEDES-BENZ
-------------	---------------

A0074206220	MERCEDES-BENZ
-------------	---------------