



# BRAKE PAD PRIME CERAMIC P85078N

**The P85078N NAO brake pad is synonymous with reliability**

Brembo NAO brake pads stand out for their ultimate braking comfort, reduced friction wear and low dust mission, which makes for cleaner rims and reduced maintenance requirements. The advanced friction material in keeping with the strictest environmental standards is the main distinguishing feature of NAO compounds.

- ✓ OE-equivalent
- ✓ Brembo quality
- ✓ Safety
- ✓ Comfort
- ✓ Durability
- ✓ Dust reduction
- ✓ With accessories



## Technical specifications

EAN code  
**8020584083598**

Axle  
**Front**

Thickness  
**16 mm**

Width  
**97 mm**

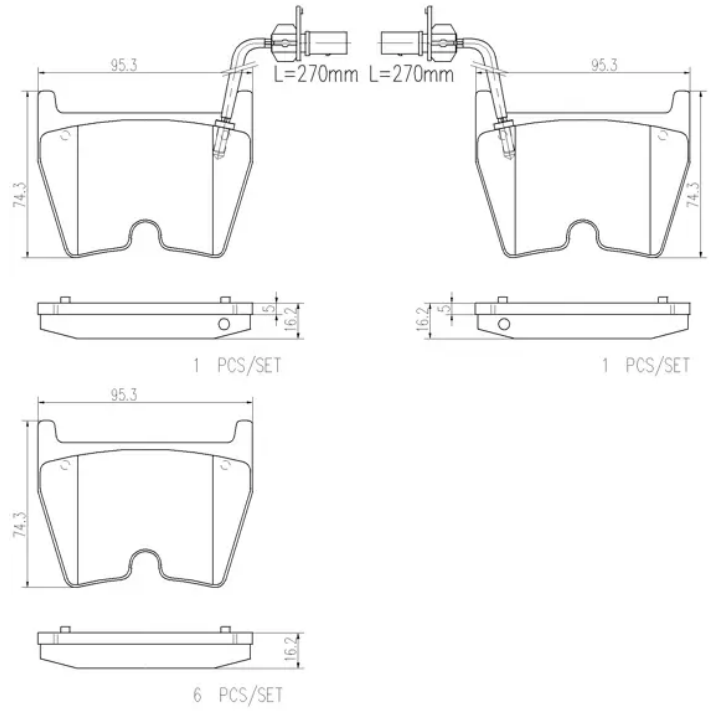
Height  
**74 mm**

Braking system  
**Brembo**

Wear indicator  
**Electric**

WVA number  
**23751,23765,23764**

Accessories  
**With anti-squeal shim**



COMPATIBLE VEHICLES

## COMPATIBLE OE PART NUMBERS

3D0698151A	AUDI
------------	------

420698151E	AUDI
------------	------

420698151G	AUDI
------------	------

4B3698151A	AUDI
------------	------

4B3698151KJ	AUDI
-------------	------

450698151C	AUDI
------------	------

8E0698151H	AUDI
------------	------

8E0698151P	AUDI
------------	------

8T0698151B	AUDI
------------	------

8T0698151D	AUDI
------------	------

3D0698151A	SEAT
------------	------

4B3698151A	SEAT
------------	------

8E0698151H	SEAT
------------	------

3D0698151A	SKODA
------------	-------

4B3698151A	SKODA
------------	-------

8E0698151H	SKODA
------------	-------

3D0698151	VW
-----------	----

3D0698151A	VW
------------	----

4B3698151A	VW
------------	----

8E0698151H	VW
------------	----