



# BEYOND EV PAD P 09 004E

The P 09 004E brake pad is designed for electric cars

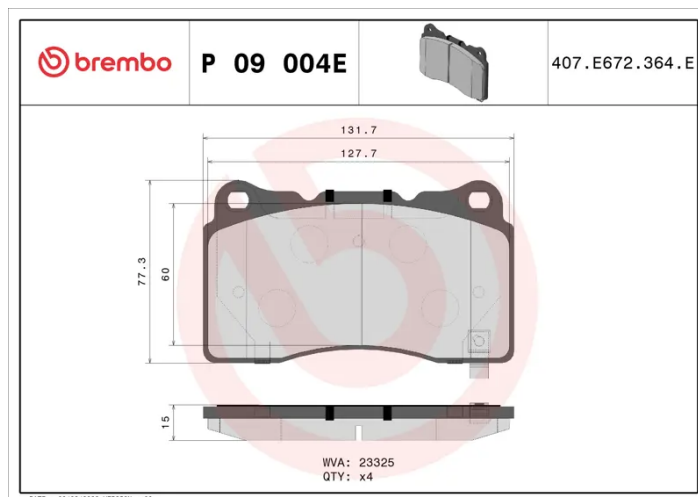
The use of regenerative braking, in electric vehicles, entails a more discontinuous use of the friction brake compared to a car with a combustion engine. For this reason, special attention is required to avoid the corrosion of brake discs and brake pads. The Brembo EV brake pad is coated with a special protective treatment, and when used in combination with Brembo EV brake discs, it avoids early corrosion of the braking system, guaranteeing silent and effective braking.



- ✓ Brembo quality
- ✓ ECE-R90 certificate
- ✓ Comfort
- ✓ Durability
- ✓ Anti-corrosion

## Technical specifications

EAN code <b>8020584123249</b>	Axle <b>Front</b>	Thickness <b>15 mm</b>
Width <b>132 mm</b>	Height <b>78 mm</b>	Braking system <b>Brembo</b>
Wear indicator <b>Acoustic</b>	WVA number <b>23325</b>	Accessories <b>With anti-squeal shim</b>



COMPATIBLE VEHICLES

## COMPATIBLE OE PART NUMBERS

105506600B	TESLA
105506600C	TESLA
106833000A	TESLA
106833000B	TESLA