



BRAKE PAD

P 24 079

The P 24 079 brake pad is synonymous with reliability

The Brembo brake pad guarantees ultimate safety when braking thanks to the use of more than 100 different compounds, designed according to the type of vehicle and use. Stopping distances reduced to a minimum, maximum driving comfort and silent operation are the most important features of Brembo materials. Brembo brake pads are supplied together with an extensive range of accessories and assembly kits for professional-standard installation.



- ✓ OE-equivalent
- ✓ Brembo quality
- ✓ ECE-R90 certificate
- ✓ Safety
- ✓ Performance
- ✓ Comfort
- ✓ With accessories

Technical specifications

EAN code
8020584060520

Axle
Rear

Thickness
14 mm

Width
90 mm

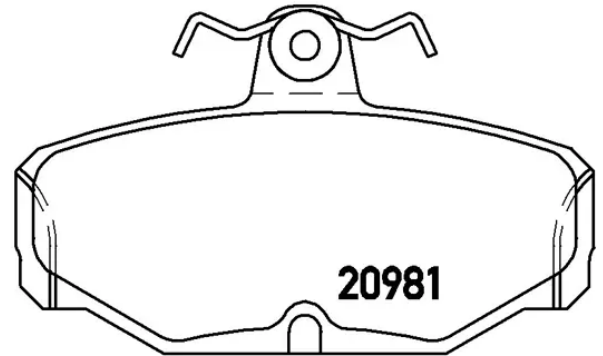
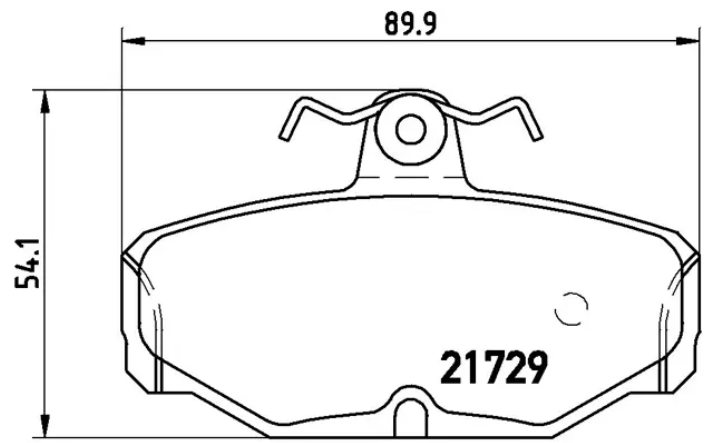
Height
54 mm

Braking system
Lucas

Wear indicator
Electric

WVA number
21729,20981

Accessories
**With anti-squeal shim
With brake caliper bolts
With accessories**



COMPATIBLE VEHICLES

COMPATIBLE OE PART NUMBERS

6485895

FORD