



BRAKE PAD

P 50 041

The P 50 041 brake pad is synonymous with reliability

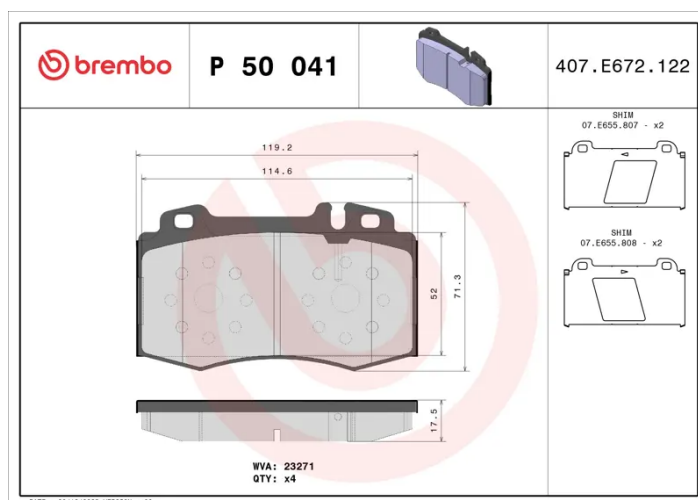
The Brembo brake pad guarantees ultimate safety when braking thanks to the use of more than 100 different compounds, designed according to the type of vehicle and use. Stopping distances reduced to a minimum, maximum driving comfort and silent operation are the most important features of Brembo materials. Brembo brake pads are supplied together with an extensive range of accessories and assembly kits for professional-standard installation.

- ✓ OE-equivalent
- ✓ Brembo quality
- ✓ ECE-R90 certificate
- ✓ Safety
- ✓ Performance
- ✓ Comfort



Technical specifications

EAN code 8020584054130	Axle Front	Thickness 18 mm
Width 118 mm	Height 71 mm	Braking system Brembo
Wear indicator Prepared for wear indicator	WVA number 23271	Accessories With anti-squeal shim



COMPATIBLE VEHICLES

COMPATIBLE OE PART NUMBERS

0034200520 MERCEDES-BENZ

0034200820 MERCEDES-BENZ

0034201820 MERCEDES-BENZ

0034204220 MERCEDES-BENZ

0034208920 MERCEDES-BENZ

003420892041 MERCEDES-BENZ

0044200420 MERCEDES-BENZ

0044200820 MERCEDES-BENZ

004420082041 MERCEDES-BENZ

0044207720 MERCEDES-BENZ

004420892041 MERCEDES-BENZ

0054200420 MERCEDES-BENZ

0054206020 MERCEDES-BENZ

0064201220 MERCEDES-BENZ

1634200620 MERCEDES-BENZ

163420062037 MERCEDES-BENZ

1634200820 MERCEDES-BENZ

163420082027 MERCEDES-BENZ

1634201020 MERCEDES-BENZ

163420102041 MERCEDES-BENZ

2214200720 MERCEDES-BENZ

A0034200520 MERCEDES-BENZ

A0034200820 MERCEDES-BENZ

A0034201820 MERCEDES-BENZ

A0034204220 MERCEDES-BENZ

A0034208920 MERCEDES-BENZ

A0044200420 MERCEDES-BENZ

A0044200820 MERCEDES-BENZ

A0064201220 MERCEDES-BENZ

A1634200620 MERCEDES-BENZ

A163420062037 MERCEDES-BENZ

A1634200820 MERCEDES-BENZ

A163420082027 MERCEDES-BENZ

A1634201020 MERCEDES-BENZ