



BRAKE PAD

P 50 091

The P 50 091 brake pad is synonymous with reliability

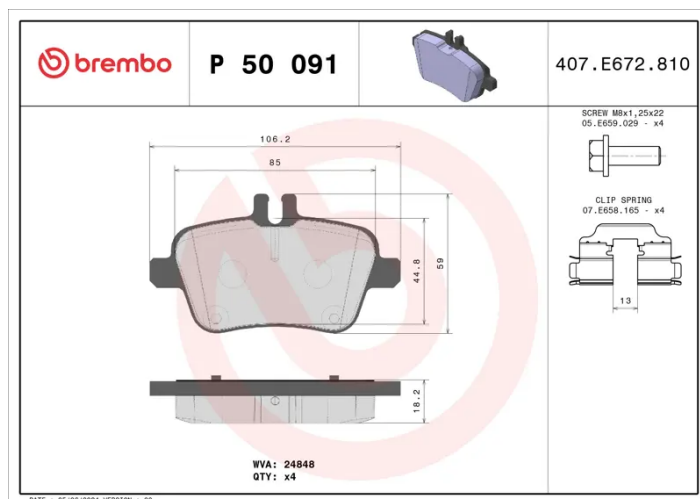
The Brembo brake pad guarantees ultimate safety when braking thanks to the use of more than 100 different compounds, designed according to the type of vehicle and use. Stopping distances reduced to a minimum, maximum driving comfort and silent operation are the most important features of Brembo materials. Brembo brake pads are supplied together with an extensive range of accessories and assembly kits for professional-standard installation.



- ✓ OE-equivalent
- ✓ Brembo quality
- ✓ ECE-R90 certificate
- ✓ Safety
- ✓ Performance
- ✓ Comfort
- ✓ With accessories

Technical specifications

EAN code 8020584103234	Axle Rear	Thickness 18 mm
Width 106 mm	Height 59 mm	Braking system TRW
Wear indicator Prepared for wear indicator	WVA number 24848	Accessories With brake caliper bolts With anti-squeal shim With accessories



COMPATIBLE VEHICLES

COMPATIBLE OE PART NUMBERS

0004200705	MERCEDES-BENZ
------------	---------------

0064202320	MERCEDES-BENZ
------------	---------------

0064207920	MERCEDES-BENZ
------------	---------------

0074209420	MERCEDES-BENZ
------------	---------------

A0004200605	MERCEDES-BENZ
-------------	---------------

A0004200705	MERCEDES-BENZ
-------------	---------------

A0064202320	MERCEDES-BENZ
-------------	---------------

A0064207920	MERCEDES-BENZ
-------------	---------------

A0074209420	MERCEDES-BENZ
-------------	---------------