



# BRAKE PAD

## P 50 163

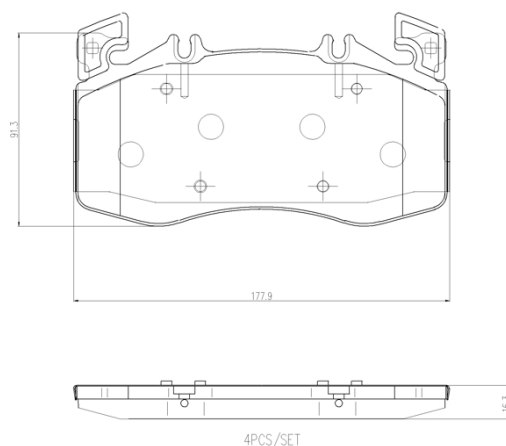
The P 50 163 brake pad is synonymous with reliability

The Brembo brake pad guarantees ultimate safety when braking thanks to the use of more than 100 different compounds, designed according to the type of vehicle and use. Stopping distances reduced to a minimum, maximum driving comfort and silent operation are the most important features of Brembo materials. Brembo brake pads are supplied together with an extensive range of accessories and assembly kits for professional-standard installation.

- ✓ OE-equivalent
- ✓ Brembo quality
- ✓ ECE-R90 certificate
- ✓ Safety
- ✓ Performance
- ✓ Comfort

### Technical specifications

EAN code	Axle	Thickness
<b>8020584118221</b>	<b>Front</b>	<b>16 mm</b>
Width	Height	Braking system
<b>178 mm</b>	<b>91 mm</b>	<b>Brembo</b>
Wear indicator	WVA number	Accessories
<b>Prepared for wear indicator</b>	<b>26128</b>	<b>With anti-squeal shim</b> <b>With counterweights</b>



COMPATIBLE VEHICLES

## COMPATIBLE OE PART NUMBERS

0004202203	MERCEDES-BENZ
------------	---------------

0004202306	MERCEDES-BENZ
------------	---------------

0004203604	MERCEDES-BENZ
------------	---------------

0004209802	MERCEDES-BENZ
------------	---------------

A0004202203	MERCEDES-BENZ
-------------	---------------

A0004202306	MERCEDES-BENZ
-------------	---------------

A0004202706	MERCEDES-BENZ
-------------	---------------

A0004203604	MERCEDES-BENZ
-------------	---------------

A0004209802	MERCEDES-BENZ
-------------	---------------