



BRAKE PAD

P 61 133G

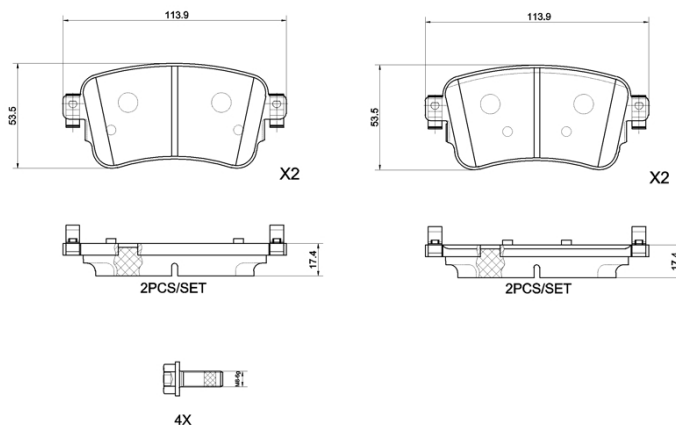
The P 61 133G brake pad is synonymous with reliability

The Brembo brake pad guarantees ultimate safety when braking thanks to the use of more than 100 different compounds, designed according to the type of vehicle and use. Stopping distances reduced to a minimum, maximum driving comfort and silent operation are the most important features of Brembo materials. Brembo brake pads are supplied together with an extensive range of accessories and assembly kits for professional-standard installation.

- ✓ OE-equivalent
- ✓ Brembo quality
- ✓ ECE-R90 certificate
- ✓ Safety
- ✓ Performance
- ✓ Comfort

Technical specifications

EAN code	Axle	Thickness
8020584125380	Rear	17 mm
Width	Height	Braking system
114 mm	54 mm	TRW
Wear indicator	WVA number	Accessories
Without	22588,22589	With brake caliper bolts With anti-squeal shim



COMPATIBLE VEHICLES