



BRAKE PAD

P 65 055

The P 65 055 brake pad is synonymous with reliability

The Brembo brake pad guarantees ultimate safety when braking thanks to the use of more than 100 different compounds, designed according to the type of vehicle and use. Stopping distances reduced to a minimum, maximum driving comfort and silent operation are the most important features of Brembo materials. Brembo brake pads are supplied together with an extensive range of accessories and assembly kits for professional-standard installation.



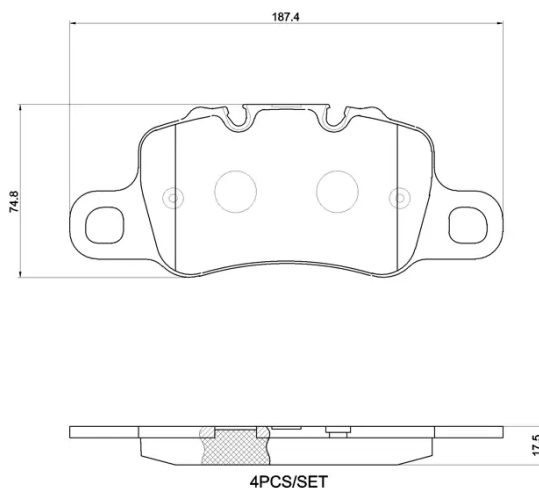
- ✓ OE-equivalent
- ✓ Brembo quality
- ✓ ECE-R90 certificate
- ✓ Safety
- ✓ Performance
- ✓ Comfort

Technical specifications

EAN code Axle Thickness
8020584129371 **Rear** **17 mm**

Width Height
187 mm **75 mm**

Wear indicator
Without



COMPATIBLE VEHICLES

COMPATIBLE OE PART NUMBERS

91835294603

PORSCHE