



# BRAKE PAD

## P 79 029

The P 79 029 brake pad is synonymous with reliability

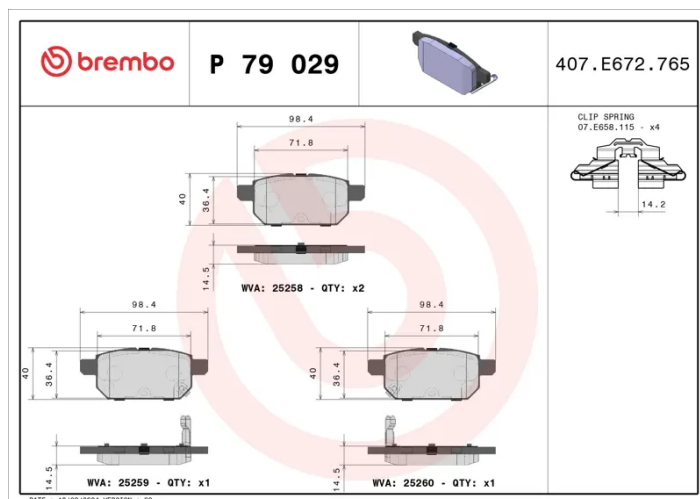
The Brembo brake pad guarantees ultimate safety when braking thanks to the use of more than 100 different compounds, designed according to the type of vehicle and use. Stopping distances reduced to a minimum, maximum driving comfort and silent operation are the most important features of Brembo materials. Brembo brake pads are supplied together with an extensive range of accessories and assembly kits for professional-standard installation.

- ✓ OE-equivalent
- ✓ Brembo quality
- ✓ ECE-R90 certificate
- ✓ Safety
- ✓ Performance
- ✓ Comfort
- ✓ With accessories



### Technical specifications

EAN code <b>8020584108925</b>	Axle <b>Rear</b>	Thickness <b>14 mm</b>
Width <b>99 mm</b>	Height <b>40 mm</b>	Braking system <b>Akebono</b>
Wear indicator <b>Acoustic</b>	WVA number <b>25258,25259,25260</b>	Accessories <b>With accessories With anti-squeal shim With piston clip</b>



**COMPATIBLE VEHICLES**

## COMPATIBLE OE PART NUMBERS

D4M603AW0A	NISSAN
5580052R00	SUZUKI
5580052R00000	SUZUKI
5580052R01	SUZUKI
5580052R01000	SUZUKI
5580061M00	SUZUKI
5580061M00000	SUZUKI
5580061M01	SUZUKI
5580061M01000	SUZUKI
5580061M02	SUZUKI
5580061M02000	SUZUKI
5580061M10	SUZUKI
5580061M11	SUZUKI
5580068L00	SUZUKI
5580068L00000	SUZUKI
5580068L10	SUZUKI
5580068L10000	SUZUKI
5580068L20	SUZUKI
5580068L20000	SUZUKI
5580068L21	SUZUKI
5580068L21000	SUZUKI
5580068R00	SUZUKI
5580068R00000	SUZUKI
5580068R10	SUZUKI
5580068R10000	SUZUKI
5580068R11	SUZUKI
5580068R12	SUZUKI
55910M68P00	SUZUKI
55910M68P01	SUZUKI