



## SP BRAKE PAD 07BB01SP

The 07BB01SP brake pad is synonymous with reliability

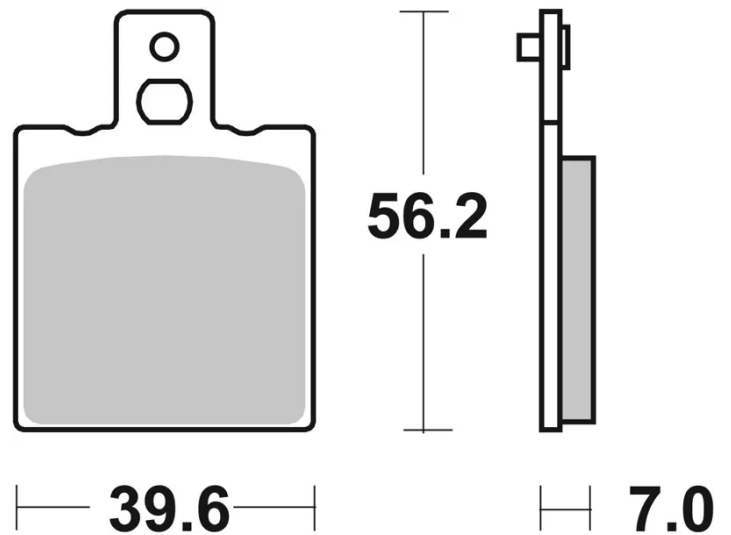
Sintered compound, for rear application and stable in all conditions of use.

- ✓ OE-equivalent
- ✓ Brembo quality
- ✓ ECE-R90 certificate
- ✓ Safety
- ✓ Comfort



### Technical specifications

|                           |                           |                          |
|---------------------------|---------------------------|--------------------------|
| Width<br>mm               | Height<br><b>56,2</b> mm  | Thickness<br><b>7</b> mm |
| Compound<br><b>Sinter</b> | Units per box<br><b>2</b> |                          |



COMPATIBLE VEHICLES