



SR BRAKE PAD 07BB19SR

The 07BB19SR brake pad is synonymous with reliability

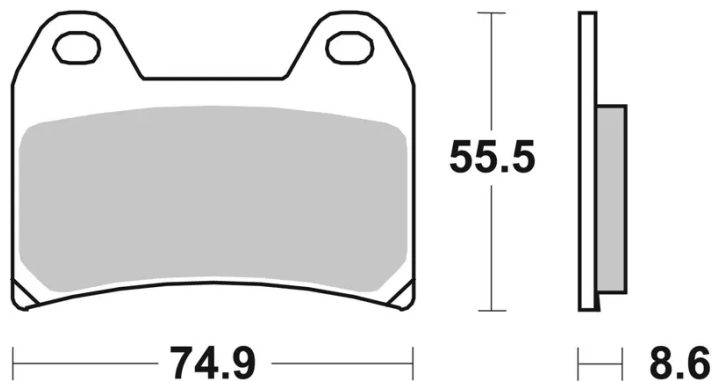
Sintered compound for sports use on the track and the road. The good friction coefficient and stability at high temperatures allow constant braking from the first to last lap together with low wear for longer life.

- ✓ Brembo quality
- ✓ ECE-R90 certificate
- ✓ Safety
- ✓ Performance
- ✓ Comfort
- ✓ Sports driving



Technical specifications

| | | |
|---------------------------|---------------------------|----------------------------|
| Width mm | Height 55,5 mm | Thickness 8,6 mm |
| Compound Sinter | Units per box 2 | |



COMPATIBLE VEHICLES