



BRAKE DISC PAINTED

08.5347.11

The 08.5347.11 painted brake disc is synonymous with reliability

The Brembo brake disc with special UV paint treatment guarantees superior corrosion resistance for the product, thanks to the protective coating on the outer edges and on the disc hub. The UV paint not only gives the disc a clean, shiny appearance but is also beneficial for the environment as the water-based UV paint treatment does not require the use of chemical solvents and is a low energy consumption process.

- ✓ OE-equivalent
- ✓ Brembo quality
- ✓ ECE-R90 certificate
- ✓ Safety
- ✓ Anti-corrosion

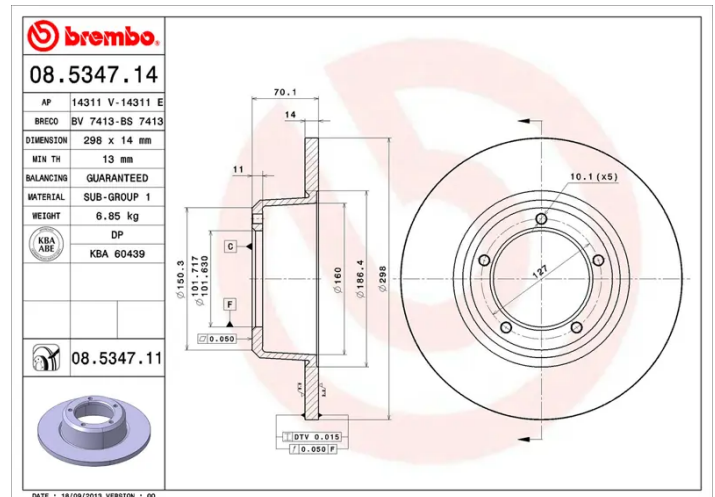


Technical specifications



EAN code	Axle	Diameter Ø
8020584034231	Front	298 mm
Thickness (TH)	Height (A)	Number of holes (C)
14 mm	70 mm	5
Brake disc type	Centering (B)	Min. thickness
Solid	101 mm	13 mm

Tightening torque
130 Nm



COMPATIBLE VEHICLES

COMPATIBLE OE PART NUMBERS

571762	LAND ROVER
--------	------------

FRC7329	LAND ROVER
---------	------------

FTC3846	LAND ROVER
---------	------------

LR017951	LAND ROVER
----------	------------

RS71762	LAND ROVER
---------	------------

571762	SANTANA
--------	---------

FRC7329	SANTANA
---------	---------