



BRAKE DISC

08.9584.10

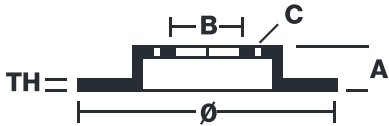
The **08.9584.10** brake disc is synonymous with reliability

The Brembo brake disc is fully interchangeable with an Original Equipment brake disc. The control of the entire production cycle allows Brembo to offer brake discs with outstanding performance levels, reliability, durability and comfort in all conditions of use. All Brembo brake discs are accompanied by the ECE-R90 homologation.

- ✓ OE-equivalent
- ✓ Brembo quality
- ✓ ECE-R90 certificate
- ✓ Safety
- ✓ High carbon
- ✓ Fastening screws



Technical specifications



EAN code
8020584958414

Axle
Rear

Diameter Ø
300 mm

Thickness (TH)
10 mm

Height (A)
66 mm

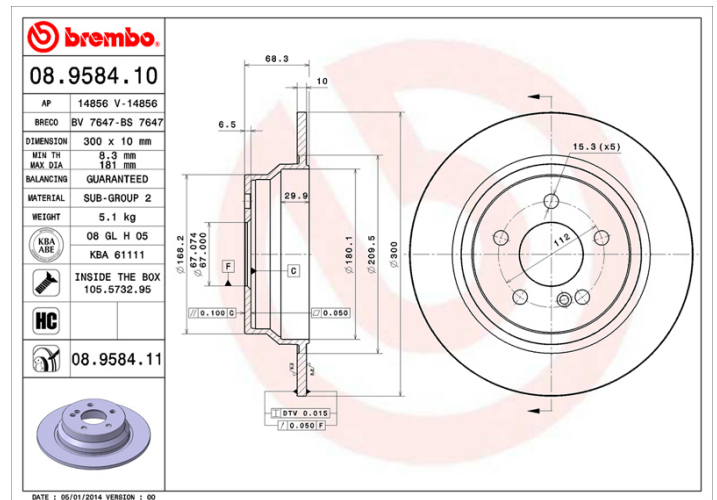
Number of holes (C)
5

Brake disc type
Solid

Centering (B)
67 mm

Min. thickness
8,3 mm

Tightening torque
130 Nm



COMPATIBLE VEHICLES

COMPATIBLE OE PART NUMBERS

0004231012	MERCEDES-BENZ
2114230712	MERCEDES-BENZ
4231012	MERCEDES-BENZ
A0004231012	MERCEDES-BENZ
A2114230712	MERCEDES-BENZ
A2114230712	MERCEDES-BENZ (BBDC)