



BRAKE DISC

08.C308.10

The **08.C308.10** brake disc is synonymous with reliability

The Brembo brake disc is fully interchangeable with an Original Equipment brake disc. The control of the entire production cycle allows Brembo to offer brake discs with outstanding performance levels, reliability, durability and comfort in all conditions of use. All Brembo brake discs are accompanied by the ECE-R90 homologation.

- ✓ OE-equivalent
- ✓ Brembo quality
- ✓ ECE-R90 certificate
- ✓ Safety
- ✓ Fastening screws



Technical specifications



EAN code
8020584217870

Axle
Rear

Diameter \varnothing
268 mm

Thickness (TH)
12 mm

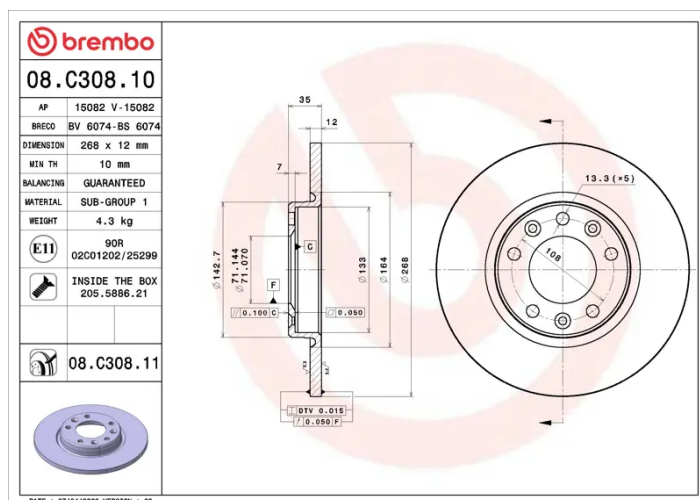
Height (A)
35 mm

Number of holes (C)
5

Brake disc type
Solid

Centering (B)
71 mm

Min. thickness
10 mm



COMPATIBLE OE PART NUMBERS

1609582880	CITROËN
1642776380	CITROËN
1612891680	CITROËN (DF-PSA)
1609582880	DS
1609582880	OPEL
3642786	OPEL
1609582880	PEUGEOT
1642776380	PEUGEOT
1612891680	PEUGEOT (DF-PSA)
1613293080	PEUGEOT (DF-PSA)
SU001A8514	TOYOTA
1609582880	VAUXHALL
3642786	VAUXHALL