



# BRAKE DISC XTRA

## 08.D429.1X

The 08.D429.1X Xtra brake disc is synonymous with reliability

The Brembo Xtra brake disc features holes on the braking surface. The holes are designed to improve the cooling of the braking system, to generate greater fading resistance and grip in the initial stages of braking. The sports look is also enhanced by the presence of the UV paint.

- ✓ Brembo quality
- ✓ ECE-R90 certificate
- ✓ Performance
- ✓ Sports driving
- ✓ Sporty look
- ✓ High carbon
- ✓ Anti-corrosion
- ✓ Fastening screws



### Technical specifications



EAN code  
8020584322819

Axle  
Rear

Diameter Ø  
302 mm

Thickness (TH)  
10 mm

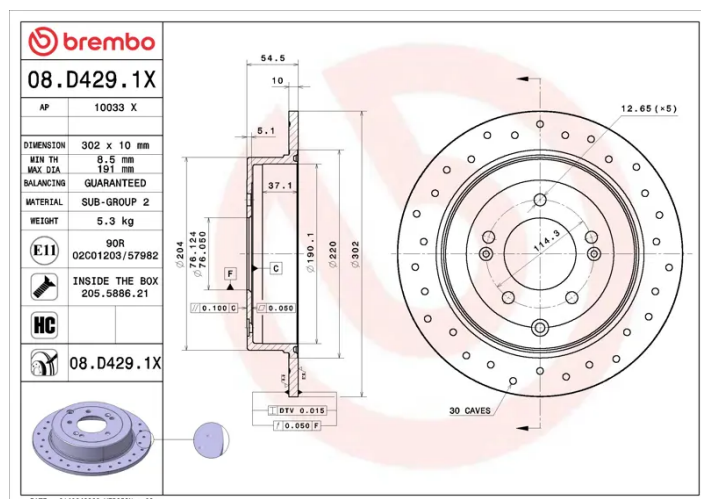
Height (A)  
54,5 mm

Number of holes (C)  
5

Brake disc type  
Solid

Centering (B)  
76,1 mm

Min. thickness  
8,5 mm



COMPATIBLE VEHICLES

## COMPATIBLE OE PART NUMBERS

58411D3000	HYUNDAI
------------	---------

58411D7000	HYUNDAI
------------	---------

58411D3000	HYUNDAI (BEIJING)
------------	-------------------

58411D3000	KIA
------------	-----

58411D7000	KIA
------------	-----

58411D3000	KIA (DYK)
------------	-----------