



BRAKE DISC MAX

09.5509.75

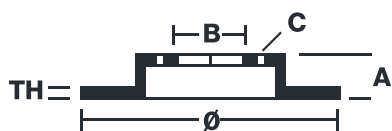
The 09.5509.75 Max brake disc is synonymous with reliability

The Brembo Max brake disc features grooves on the braking surface. The special shape of the grooves generates greater fading resistance and constant renewal of friction material, quickly restoring optimum braking conditions. The UV paint completes the sporty look.

- ✓ Brembo quality
- ✓ ECE-R90 certificate
- ✓ Performance
- ✓ Sports driving
- ✓ Sporty look
- ✓ Anti-corrosion
- ✓ Fastening screws



Technical specifications



EAN code
8020584011379

Axle
Front

Diameter Ø
262 mm

Thickness (TH)
21 mm

Height (A)
45 mm

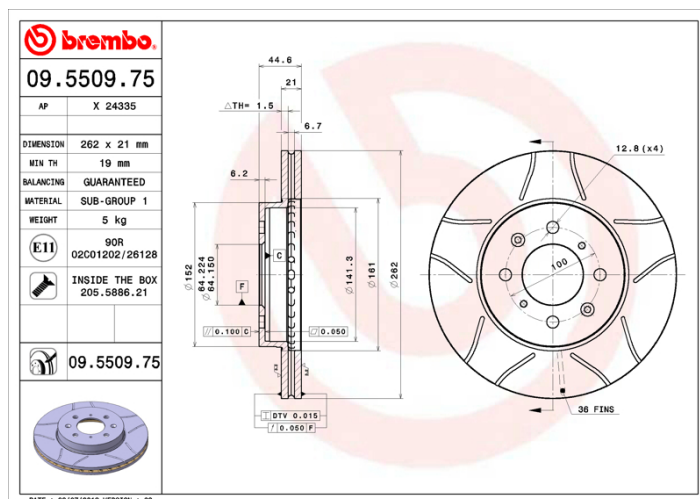
Number of holes (C)
4

Brake disc type
Ventilated

Centering (B)
64 mm

Min. thickness
19 mm

Tightening torque
108 Nm



COMPATIBLE VEHICLES

COMPATIBLE OE PART NUMBERS

45251SK7000	ACURA
-------------	-------

45251SK7A00	ACURA
-------------	-------

45251SR0A00	ACURA
-------------	-------

45251SR0A10	ACURA
-------------	-------

45251SK7000	HONDA
-------------	-------

45251SK7A00	HONDA
-------------	-------

45251SK7A10	HONDA
-------------	-------

45251SK7J00	HONDA
-------------	-------

45251SR0A00	HONDA
-------------	-------

45251SR0A10	HONDA
-------------	-------

45251ST3E10	HONDA
-------------	-------

45251T6PH00	HONDA (GAC)
-------------	-------------

GBD90840	LOTUS
----------	-------

SDB000990	MG
-----------	----

SDB000991	MG
-----------	----

SDB100600	MG
-----------	----

GBD90840	ROVER
----------	-------

SDB100600	ROVER
-----------	-------