



BRAKE DISC PAINTED

09.5736.11

The 09.5736.11 painted brake disc is synonymous with reliability

The Brembo brake disc with special UV paint treatment guarantees superior corrosion resistance for the product, thanks to the protective coating on the outer edges and on the disc hub. The UV paint not only gives the disc a clean, shiny appearance but is also beneficial for the environment as the water-based UV paint treatment does not require the use of chemical solvents and is a low energy consumption process.

- ✓ OE-equivalent
- ✓ Brembo quality
- ✓ ECE-R90 certificate
- ✓ Safety
- ✓ Anti-corrosion

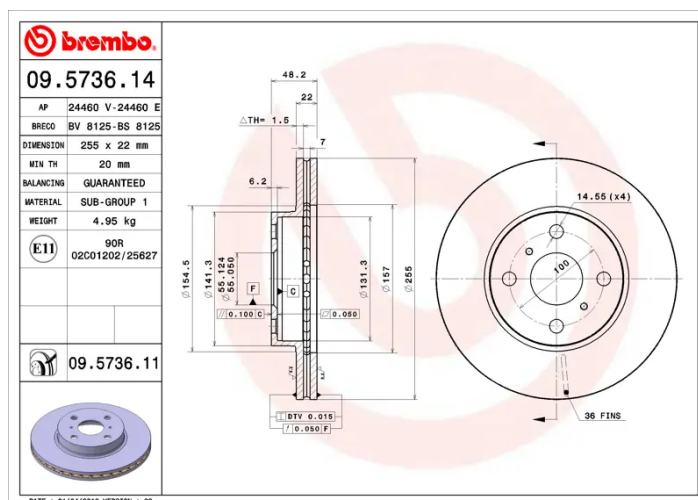


Technical specifications



| | | |
|----------------------|---------------|---------------------|
| EAN code | Axle | Diameter Ø |
| 8020584216026 | Front | 255 mm |
| Thickness (TH) | Height (A) | Number of holes (C) |
| 22 mm | 48 mm | 4 |
| Brake disc type | Centering (B) | Min. thickness |
| Ventilated | 55 mm | 20 mm |

Tightening torque
103 Nm



COMPATIBLE VEHICLES

COMPATIBLE OE PART NUMBERS

94854148 CHEVROLET

3501011G08 GREAT WALL

4351202040 TOYOTA

4351212550 TOYOTA

94853004 TOYOTA
