



# BRAKE DISC

## 09.9554.10

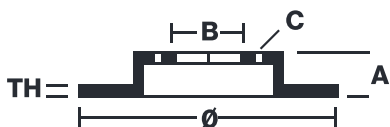
The **09.9554.10** brake disc is synonymous with reliability

The Brembo brake disc is fully interchangeable with an Original Equipment brake disc. The control of the entire production cycle allows Brembo to offer brake discs with outstanding performance levels, reliability, durability and comfort in all conditions of use. All Brembo brake discs are accompanied by the ECE-R90 homologation.

- ✓ OE-equivalent
- ✓ Brembo quality
- ✓ ECE-R90 certificate
- ✓ Safety
- ✓ Fastening screws



### Technical specifications



EAN code  
**8020584955413**

Axle  
**Front**

Diameter Ø  
**240 mm**

Thickness (TH)  
**21 mm**

Height (A)  
**39 mm**

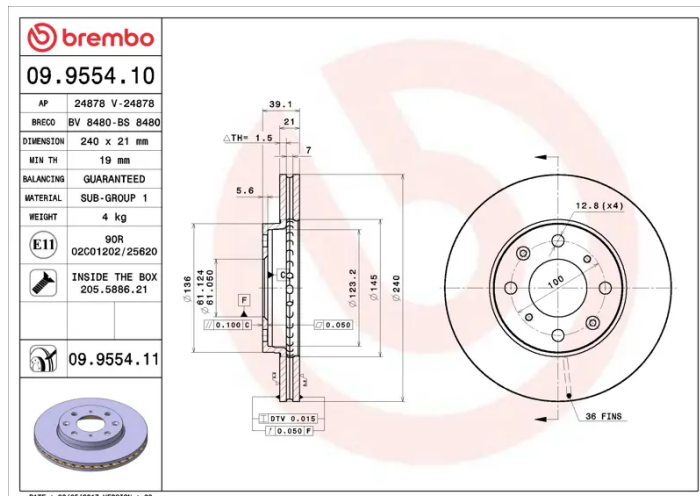
Number of holes (C)  
**4**

Brake disc type  
**Ventilated**

Centering (B)  
**61 mm**

Min. thickness  
**19 mm**

Tightening torque  
**108 Nm**



COMPATIBLE VEHICLES

## COMPATIBLE OE PART NUMBERS

45251S2G000	HONDA
-------------	-------

45251S50G00	HONDA
-------------	-------

45251S50J00	HONDA
-------------	-------

45251S50J01	HONDA
-------------	-------

45251SAAG00	HONDA
-------------	-------

45251SAAG10	HONDA
-------------	-------

45251SAAG11	HONDA
-------------	-------

45251SAAG12	HONDA
-------------	-------

45251SELT00	HONDA
-------------	-------

45251SELT10	HONDA
-------------	-------

45251SENH20	HONDA (GAC)
-------------	-------------

45251SENH30	HONDA (GAC)
-------------	-------------