



BRAKE DISC PAINTED

09.A738.11

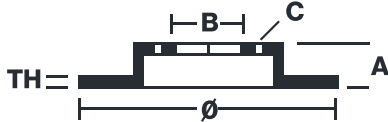
The 09.A738.11 painted brake disc is synonymous with reliability

The Brembo brake disc with special UV paint treatment guarantees superior corrosion resistance for the product, thanks to the protective coating on the outer edges and on the disc hub. The UV paint not only gives the disc a clean, shiny appearance but is also beneficial for the environment as the water-based UV paint treatment does not require the use of chemical solvents and is a low energy consumption process.

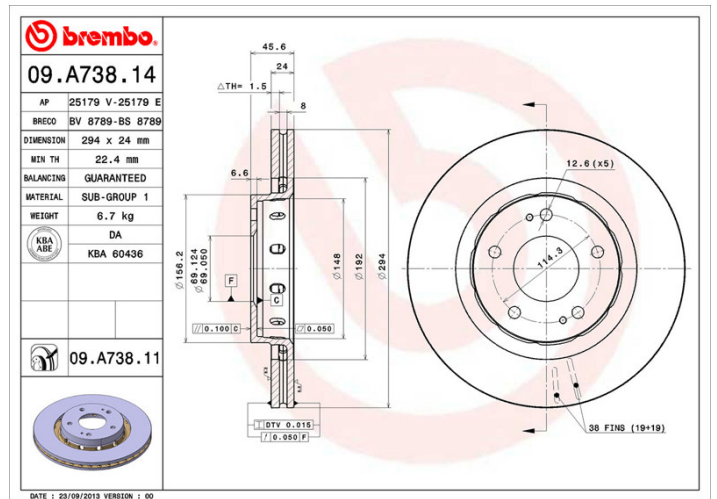
- ✓ OE-equivalent
- ✓ Brembo quality
- ✓ ECE-R90 certificate
- ✓ Safety
- ✓ Anti-corrosion



Technical specifications



EAN code 8020584032770	Axle Front	Diameter Ø 294 mm
Thickness (TH) 24 mm	Height (A) 46 mm	Number of holes (C) 5
Brake disc type Ventilated	Centering (B) 69 mm	Min. thickness 22,4 mm
Tightening torque 100 Nm		



COMPATIBLE VEHICLES

COMPATIBLE OE PART NUMBERS

1606375780	CITROËN
------------	---------

1611429880	CITROËN
------------	---------

424959	CITROËN
--------	---------

4249F3	CITROËN
--------	---------

4615A006	MITSUBISHI
----------	------------

4615A113	MITSUBISHI
----------	------------

4615A179	MITSUBISHI
----------	------------

46515A189	MITSUBISHI
-----------	------------

MR128659	MITSUBISHI
----------	------------

MR205215	MITSUBISHI
----------	------------

MR307376	MITSUBISHI
----------	------------

1606375780	PEUGEOT
------------	---------

1611429880	PEUGEOT
------------	---------

424958	PEUGEOT
--------	---------

4249F3	PEUGEOT
--------	---------