



DRUM

14.A855.10

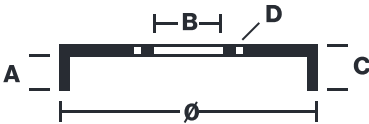
The **14.A855.10** drum is synonymous with reliability

Brembo has developed several design solutions for drum brakes which combine multiple materials to reduce the overall weight. The most popular range of lamellar graphite cast iron drums is supplemented by cast iron drums with a steel sprocket flange and aluminium drums, whereby only the inner part of the drum on which the shoes operate are made of lamellar cast iron, namely the brake band. Additionally drums with built-in bearing kit and hub are added to this range.



- ✓ OE-equivalent
- ✓ Brembo quality
- ✓ Safety
- ✓ Durability

Technical specifications



EAN code
8020584219713

Axle
Rear

Diameter
228,5 mm

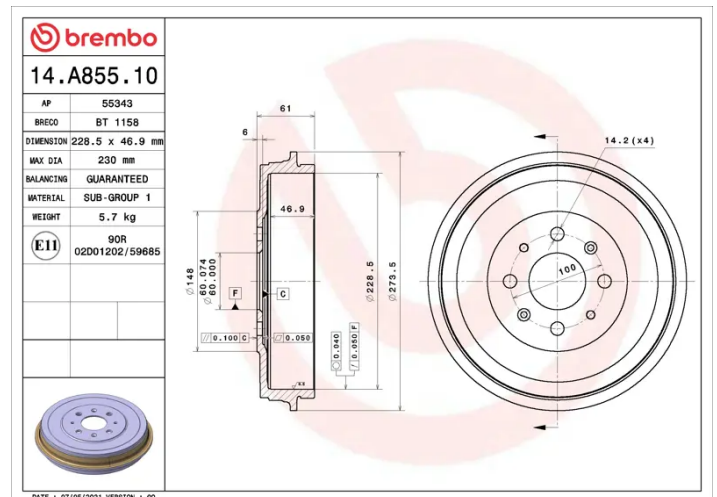
Width
47 mm

Height
61

Number of holes
4

Centering
60 mm

Max diameter
230 mm



COMPATIBLE VEHICLES

COMPATIBLE OE PART NUMBERS

51901443	FIAT
----------	------

51901444	FIAT
----------	------

55701380	FIAT
----------	------

55703043	FIAT
----------	------

55704058	FIAT
----------	------

568270	FIAT
--------	------

13423796	OPEL
----------	------

55701380	OPEL
----------	------

55704058	OPEL
----------	------

568000	OPEL
--------	------

568003	OPEL
--------	------

568270	OPEL
--------	------

13423796	VAUXHALL
----------	----------

55701380	VAUXHALL
----------	----------

55704058	VAUXHALL
----------	----------