



BRAKE PAD PRIME CERAMIC P28042N

The P28042N NAO brake pad is synonymous with reliability

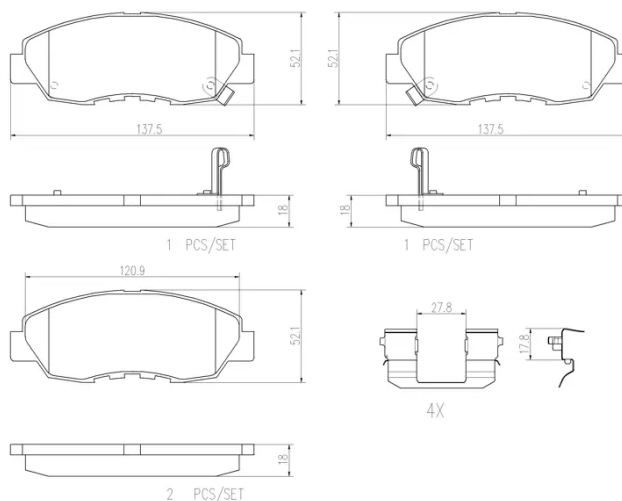
Brembo NAO brake pads stand out for their ultimate braking comfort, reduced friction wear and low dust mission, which makes for cleaner rims and reduced maintenance requirements. The advanced friction material in keeping with the strictest environmental standards is the main distinguishing feature of NAO compounds.

- ✓ OE-equivalent
- ✓ Brembo quality
- ✓ Safety
- ✓ Comfort
- ✓ Durability
- ✓ Dust reduction
- ✓ With accessories



Technical specifications

EAN code 8020584097724	Axle Front	Thickness 18 mm
Width 138 mm	Height 52 mm	Braking system Akebono
Wear indicator Acoustic	WVA number 21497,21498,21499	Accessories With anti-squeal shim



COMPATIBLE VEHICLES

COMPATIBLE OE PART NUMBERS

45022SY8405	ACURA
06450S5DA00	HONDA
06450S5DA01	HONDA
06450S9A000	HONDA
06450S9A010	HONDA
45022S01A01	HONDA
45022S01A02	HONDA
45022S01A03	HONDA
45022S10000	HONDA
45022S10010	HONDA
45022S10020	HONDA
45022S10030	HONDA
45022S4KA00	HONDA
45022S4KA01	HONDA
45022S50A00	HONDA
45022S5D405	HONDA
45022S5D415	HONDA
45022S5DA00	HONDA
45022S5DH00	HONDA
45022S84A00	HONDA
45022S84A01	HONDA
45022S84A02	HONDA
45022S9A000	HONDA
45022SM4505	HONDA
45022SM4517	HONDA
45022SM4527	HONDA
45022SM4A00	HONDA
45022SM4A01	HONDA
45022SM4G00	HONDA
45022SNEA00	HONDA
45022SY8405	HONDA
45022SY8A00	HONDA
45022SY8A01	HONDA
45022TR3A00	HONDA
45022TR3A01	HONDA
45022TR3A02	HONDA
H4502S10003	HONDA
H4502S9A003	HONDA
45022TS6H00	HONDA (DONGFENG)
AY040HN014	NISSAN