

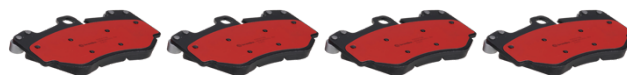


BRAKE PAD NAO P65016N

The P65016N NAO brake pad is synonymous with reliability

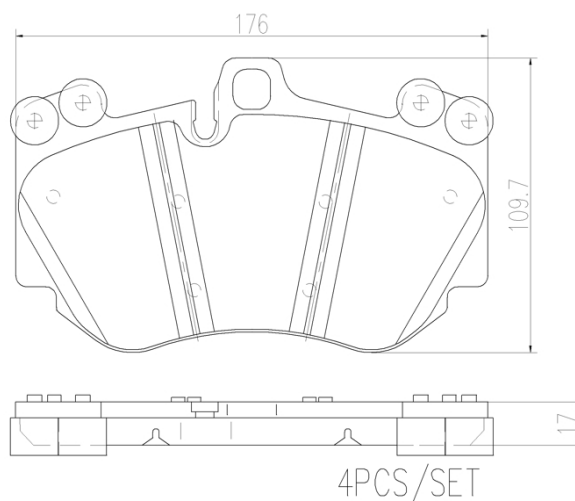
Brembo NAO brake pads stand out for their ultimate braking comfort, reduced friction wear and low dust mission, which makes for cleaner rims and reduced maintenance requirements. The advanced friction material in keeping with the strictest environmental standards is the main distinguishing feature of NAO compounds.

- ✓ OE-equivalent
- ✓ Brembo quality
- ✓ Safety
- ✓ Comfort
- ✓ Durability
- ✓ Dust reduction
- ✓ With accessories



Technical specifications

| | | |
|--|----------------------------|---|
| EAN code 8020584083468 | Axle Front | Thickness 17 mm |
| Width 176 mm | Height 110 mm | Braking system Brembo |
| Wear indicator Prepared for wear indicator | WVA number 23961 | Accessories With anti-squeal shim With counterweights |



COMPATIBLE VEHICLES

COMPATIBLE OE PART NUMBERS

| | |
|-------------|---------|
| 7L5698151 | AUDI |
| 95535193950 | PORSCHE |
| 95535193951 | PORSCHE |
| 95535193952 | PORSCHE |
| 95535193953 | PORSCHE |
| 95535193954 | PORSCHE |
| 7L5698151 | SEAT |
| 7L5698151 | SKODA |
| 7L5698151 | VW |
| 7L5698151H | VW |