



BRAKE PAD NAO P79029N

The P79029N NAO brake pad is synonymous with reliability

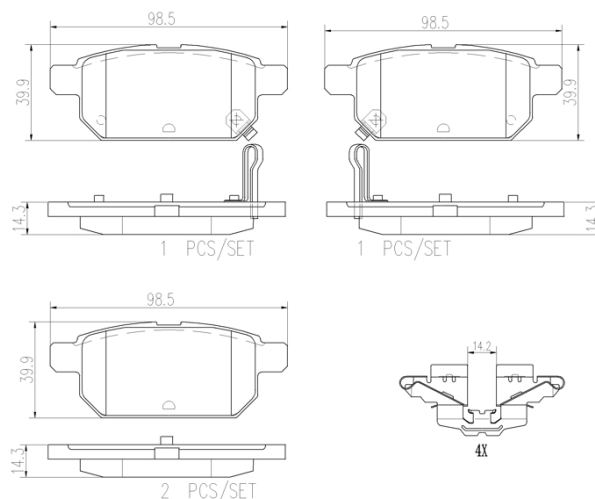
Brembo NAO brake pads stand out for their ultimate braking comfort, reduced friction wear and low dust mission, which makes for cleaner rims and reduced maintenance requirements. The advanced friction material in keeping with the strictest environmental standards is the main distinguishing feature of NAO compounds.

- ✓ OE-equivalent
- ✓ Brembo quality
- ✓ Safety
- ✓ Comfort
- ✓ Durability
- ✓ Dust reduction
- ✓ With accessories



Technical specifications

| | | |
|-----------------------------------|--|--|
| EAN code 8020584085714 | Axle Rear | Thickness 14 mm |
| Width 99 mm | Height 40 mm | Braking system Akebono |
| Wear indicator Acoustic | WVA number 25258,25259,25260 | Accessories With accessories With anti-squeal shim |



COMPATIBLE VEHICLES

COMPATIBLE OE PART NUMBERS

| | |
|---------------|--------|
| D4M603AW0A | NISSAN |
| 5580052R00 | SUZUKI |
| 5580052R00000 | SUZUKI |
| 5580052R01 | SUZUKI |
| 5580052R01000 | SUZUKI |
| 5580061M00 | SUZUKI |
| 5580061M00000 | SUZUKI |
| 5580061M01 | SUZUKI |
| 5580061M01000 | SUZUKI |
| 5580061M02 | SUZUKI |
| 5580061M02000 | SUZUKI |
| 5580061M10 | SUZUKI |
| 5580061M11 | SUZUKI |
| 5580068L00 | SUZUKI |
| 5580068L00000 | SUZUKI |
| 5580068L10 | SUZUKI |
| 5580068L10000 | SUZUKI |
| 5580068L20 | SUZUKI |
| 5580068L20000 | SUZUKI |
| 5580068L21 | SUZUKI |
| 5580068L21000 | SUZUKI |
| 5580068R00 | SUZUKI |
| 5580068R00000 | SUZUKI |
| 5580068R10 | SUZUKI |
| 5580068R10000 | SUZUKI |
| 5580068R11 | SUZUKI |
| 5580068R12 | SUZUKI |
| 55910M68P00 | SUZUKI |
| 55910M68P01 | SUZUKI |