



# BRAKE PAD

## P 23 080

The P 23 080 brake pad is synonymous with reliability

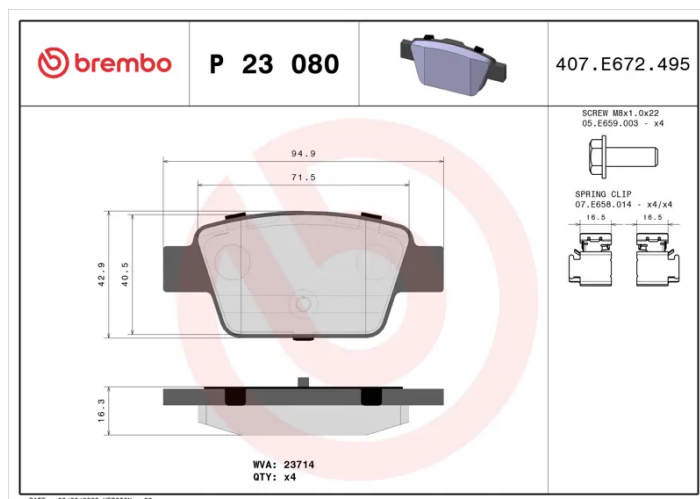
The Brembo brake pad guarantees ultimate safety when braking thanks to the use of more than 100 different compounds, designed according to the type of vehicle and use. Stopping distances reduced to a minimum, maximum driving comfort and silent operation are the most important features of Brembo materials. Brembo brake pads are supplied together with an extensive range of accessories and assembly kits for professional-standard installation.

- ✓ OE-equivalent
- ✓ Brembo quality
- ✓ ECE-R90 certificate
- ✓ Safety
- ✓ Performance
- ✓ Comfort
- ✓ With accessories



### Technical specifications

EAN code <b>8020584051504</b>	Axle <b>Rear</b>	Thickness <b>16 mm</b>
Width <b>95 mm</b>	Height <b>43 mm</b>	Braking system <b>Bosch</b>
Wear indicator <b>Without</b>	WVA number <b>23714</b>	Accessories <b>With accessories</b> <b>With anti-squeal shim</b> <b>With brake caliper bolts</b>



**COMPATIBLE VEHICLES**

## COMPATIBLE OE PART NUMBERS

6001073153 FIAT

---

71769094 FIAT

---

71770014 FIAT

---

71772225 FIAT

---

71796094 FIAT

---

77362271 FIAT

---

77362768 FIAT

---

77364590 FIAT

---

9949280 FIAT

---